

# Woodpeckers®

## STEALTHSTOP MITER GAUGE

### OWNER'S MANUAL

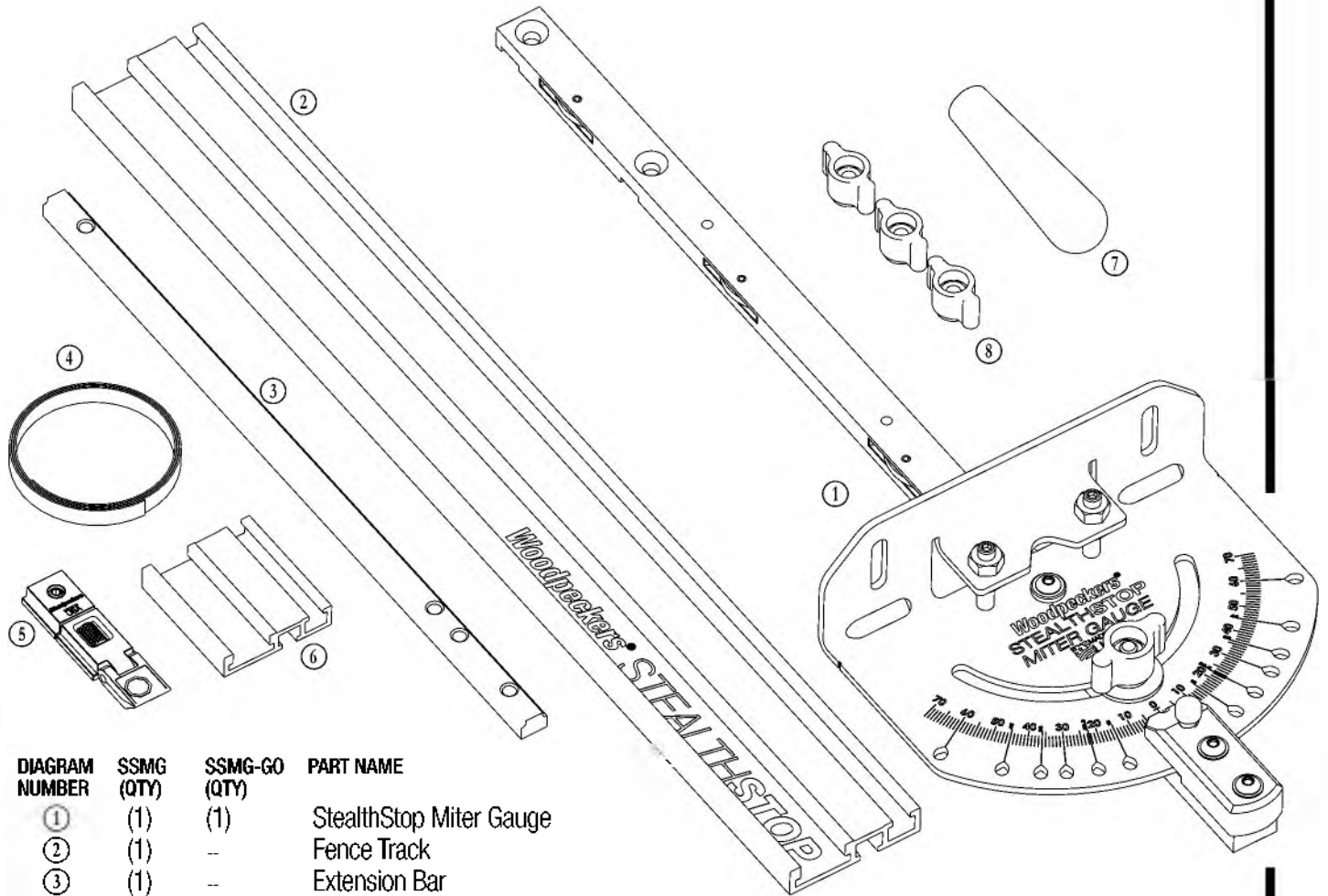


DIAGRAM NUMBER	SSMG (QTY)	SSMG-GO (QTY)	PART NAME
①	(1)	(1)	StealthStop Miter Gauge
②	(1)	--	Fence Track
③	(1)	--	Extension Bar

#### HARDWARE BAG

④	(1)	--	Adhesive UHMW Strip
⑤	(1)	--	StealthStop Flip Stop
⑥	(1)	--	Fence Extension
⑦	(1)	(1)	Knob Handle - Tall 3-7/8"
⑧	(4)	(2)	1/4"-20 Thumb Knobs
--	(2)	--	Set Screw, Flat Tip 1/4" - 20 x 5/16"
--	(2)	--	Set Screw Cup Point 1/4" - 20 x 1"
--	(2)	(2)	Flat Head Cap Screw 10-32 x 5/16"
--	(2)	(2)	10-32 Oval Nut
--	(2)	(2)	Hex Head Bolt 1/4"-20 x 1
--	(4)	(2)	1/4" Washer



Scan the QR code above to watch the video or visit [woodpeck.com](http://woodpeck.com) under the video tab towards the bottom of the product page.

If you think you're missing anything, email us at [mailroom@woodpeck.com](mailto:mailroom@woodpeck.com). You can also call us at 800-752-0725 from 9:00 a.m. to 4:00 p.m. EST Monday - Friday.

## I. ASSEMBLY

1. The StealthStop Miter Gauge ① comes from the factory fully calibrated and partially assembled. Fine tuning may be required for best results on your specific saw. Unpack all pieces and lay out on a bench and ensure you check for all pieces as some items are packed within the cardboard cushions.

3. Locate the components for the Fence Extension ⑥. The Extension Bar ③ ships in the fence with the Set Screws snugged up to prevent it moving during shipment. Crack these Set Screws loose, then slide the Extension Bar completely out of the fence section. **FIGURE A**

4. Install the Cup Point Set Screws into the Extension Bar through the two empty tapped holes using the included 1/8" Hex L-Key. These tapped holes are drilled through but not tapped all the way through. Tighten the Cup Point Set Screws completely. **FIGURE B**

5. Install the Extension Bar into the Fence Extension, flushing up the end. Using the 1/8" Hex L-Key again, snug the two short Set Screws to secure the Fence Extension to the Extension Bar. Do not overtighten these Set Screws as that will cause the Fence Extension to bend out of flat.

6. To finish the extension, install a 1/4" Washer and a Thumb Knob ⑧ onto each of the Cup Point Set Screws installed earlier. Slide this whole assembly into the Miter Gauge Fence and tighten both Thumb Knobs to secure it in place. **FIGURE C**

7. Install the Adhesive UHMW Strip ④ to the bottom of the main Fence Track, ensuring that the Strip is not proud of the front surface. **FIGURE D**

8. The StealthStop Miter Gauge ships with one of the small Thumb Knobs in place of the Knob Handle ⑦. Remove the knob, and place with the rest of the hardware. Install the Knob Handle in its place. **FIGURE E**

9. Next, install a Hex Head Bolt, 1/4" Washer, and Thumb Knob in each of the mounting slots. **FIGURE F**

10. Slide the previously assembled Fence and Extension onto the Hex Heads and secure in place with the Thumb Knobs. **FIGURE G**

11. If your miter gauge slot has a T-track, the StealthStop Miter Gauge has two Oval Nuts that install on the miter bar to prevent flipping when the bar is pulled back. To install, place an Oval Nut into the cutout, with the raised side facing the hole, then install a Flat Head Cap Screw into the countersink on the other side of the miter bar. Tighten fully using the included 1/8" Hex L-Key. **FIGURE H**

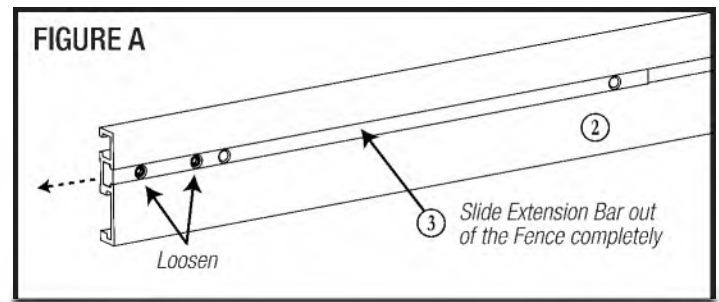


FIGURE B

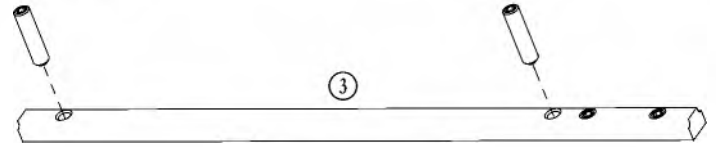


FIGURE C

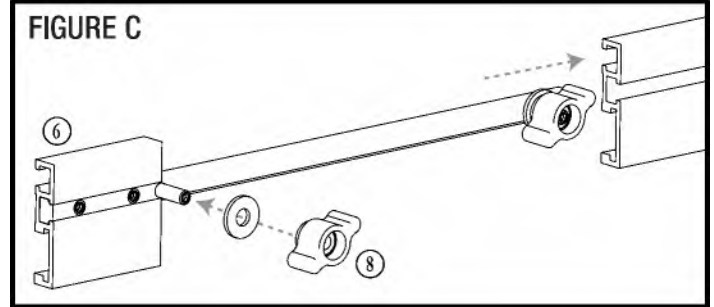


FIGURE D

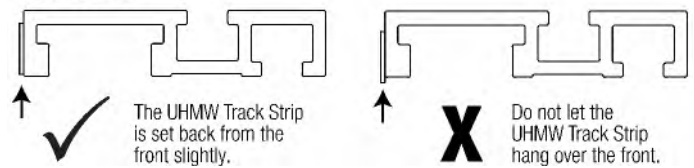


FIGURE E

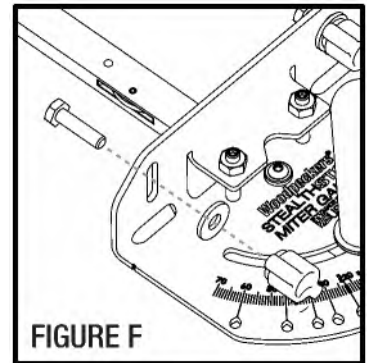
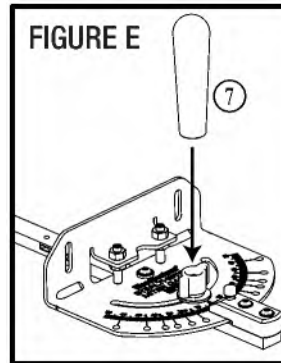


FIGURE G

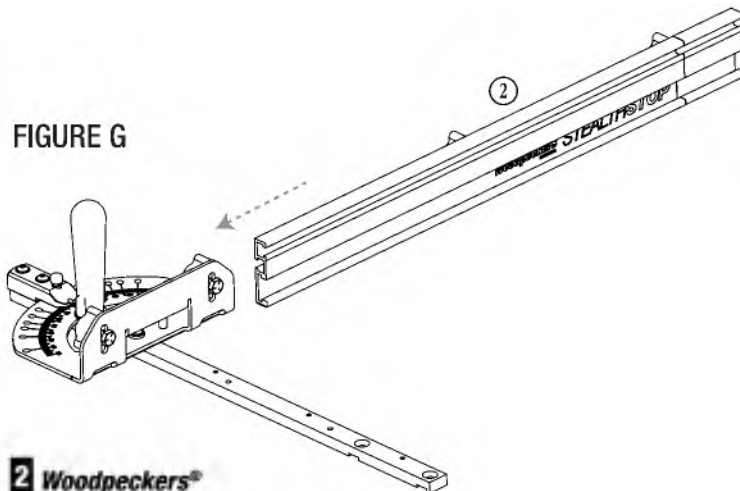
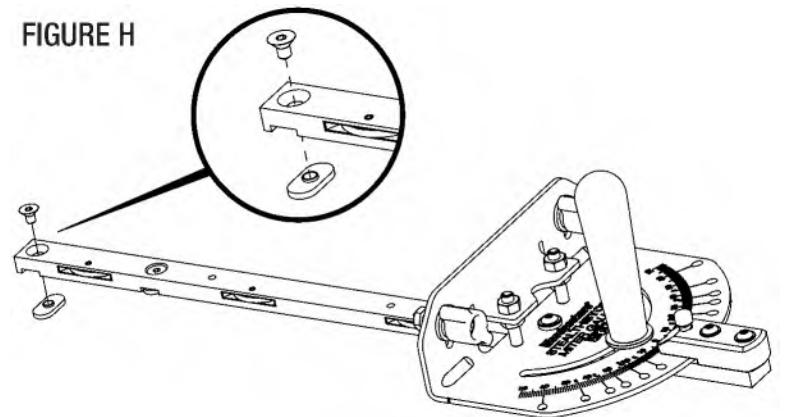


FIGURE H

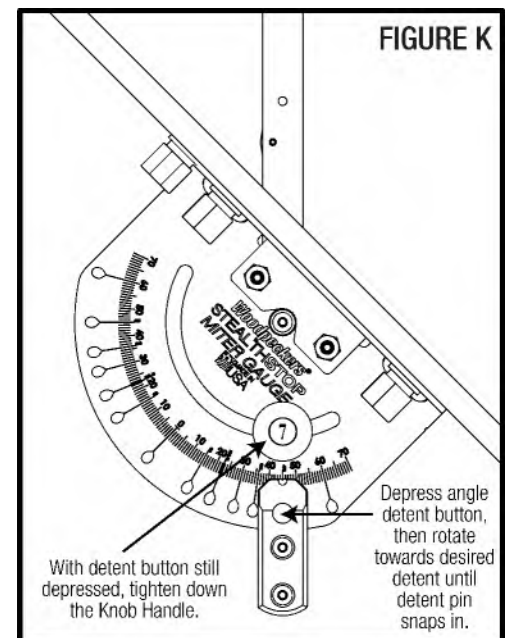
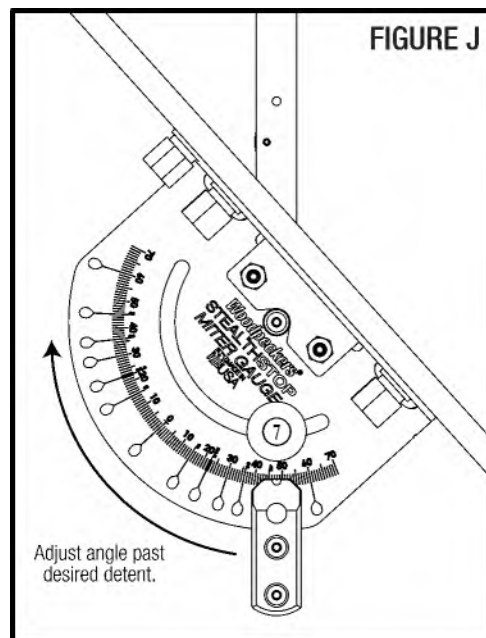
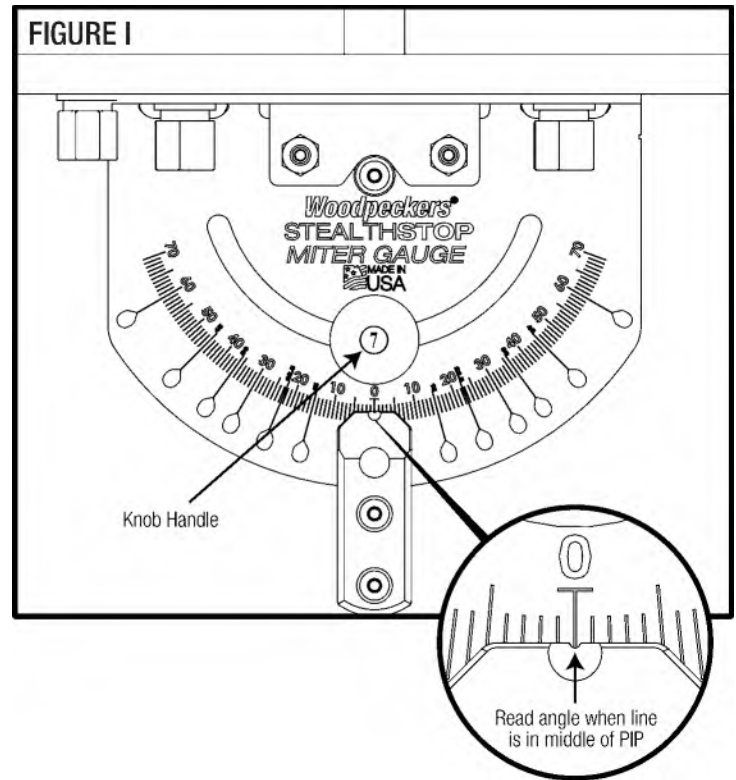


## II. ADJUSTING THE ANGLE USING THE ANGLE SCALE

1. Loosen the Knob Handle, hold onto the Fence, and rotate to the desired angle. *FIGURE I*
2. Sight down the small pip in the front end of the angle detent bar. The desired angle is achieved when the line is dead center in the pip.
3. Tighten the Knob Handle to secure the angle setting.

## III. ADJUSTING THE ANGLE USING THE ANGLE DETENTS

1. Loosen the Knob Handle, hold onto the Fence, and rotate past the desired angle detent. *FIGURE J*
2. Depress the angle detent button, then rotate the Fence until the pin snaps into the detent. *FIGURE K*
3. With the detent button still depressed, tighten the Knob Handle to secure the setting.



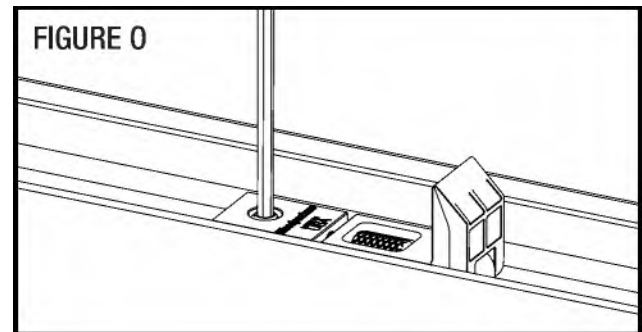
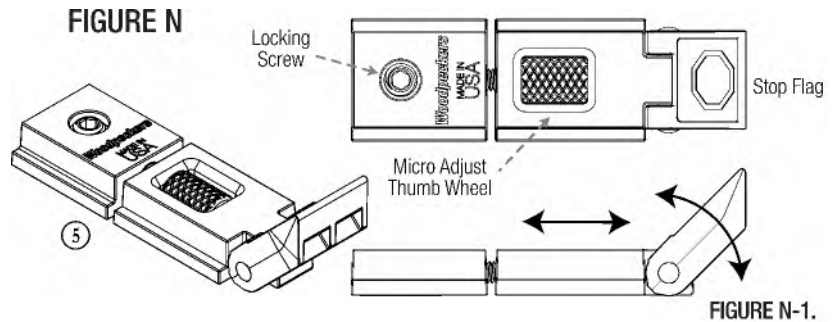
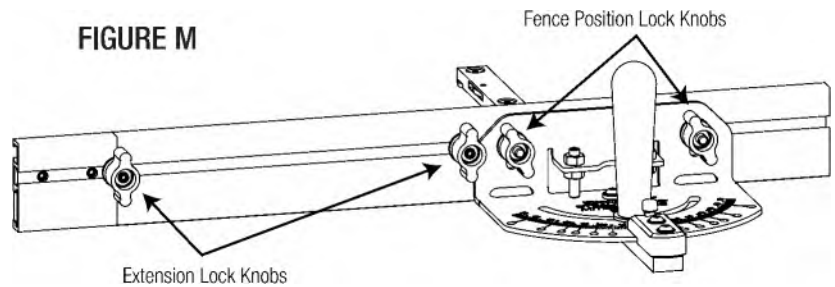
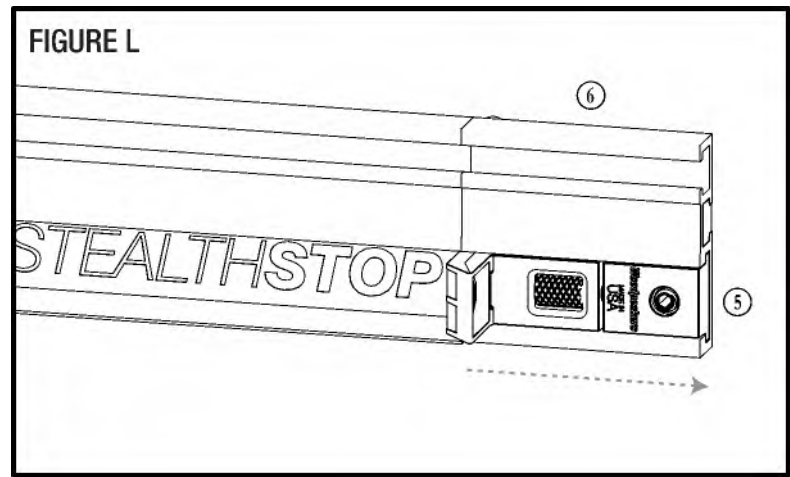
#### IV. USING THE FENCE & FENCE EXTENSION

1. To use the Fence Extension, first, move the StealthStop Flip Stop ⑤ flush to the end of the Extension Track and lock in place.
2. Loosen both Thumb Knobs, then slide to desired position.
3. Retighten both Thumb Knobs.
4. The StealthStop Flip Stop will now be slightly proud of the extension track when flipped out, and can be micro adjusted as normal.
5. To collapse the Extension, loosen both Thumb Knobs and slide until closed. Tighten both Thumb Knobs to secure into position.
6. The Fence can slide closer or further from the blade by loosening the two Thumb Knobs on the miter gauge head. This can be useful adjusting to your specific saw, or for getting the fence to the right position when miter cutting. Note, you may need to extend or fully remove the Extension when adjusting the Fence to certain positions.

#### V. USING THE STEALTHSTOP FLIP STOPS

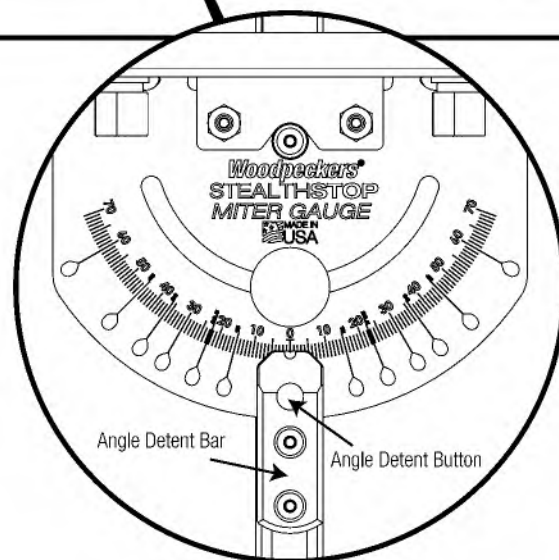
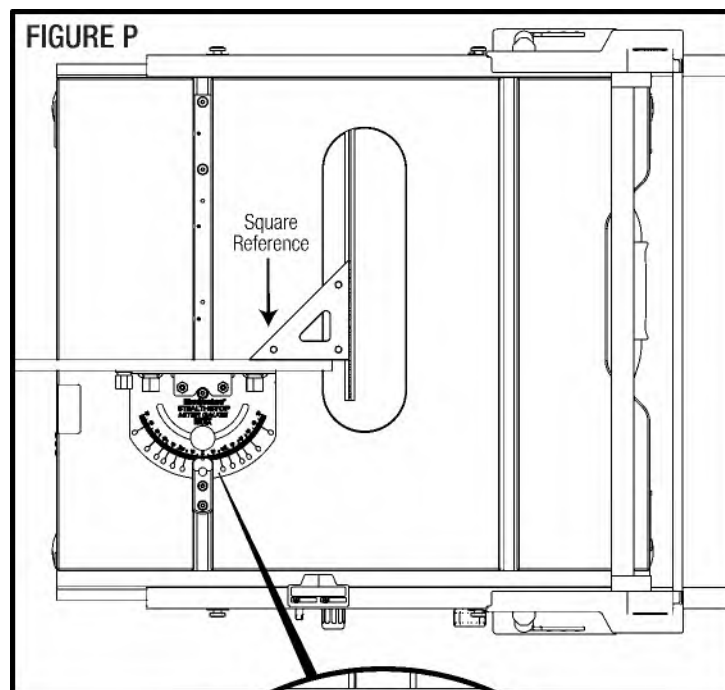
1. The StealthStop Flip Stop is tool-free for raising/lowering the flag, and for micro-adjusting position. It does require the Hex Key to lock the stop in place. When lowered, the Flip Stop is fully below the surface of the Combo Track and out of the way. **FIGURE N**

- To lock/unlock the Flip Stop, use the Hex Key in the exposed hex of the locking screw. **FIGURE O**
- To move the Flip Stop around quickly, use the Hex Key to loosen the lock, and then move the stop with the Hex Key still installed.
- To micro-adjust the position of the Flip Stop, spin the knurled brass thumb wheel to move the flag forward or backward.
- To raise / lower the flag, simply use your finger tip to snap it up or down. **FIGURE N-1**



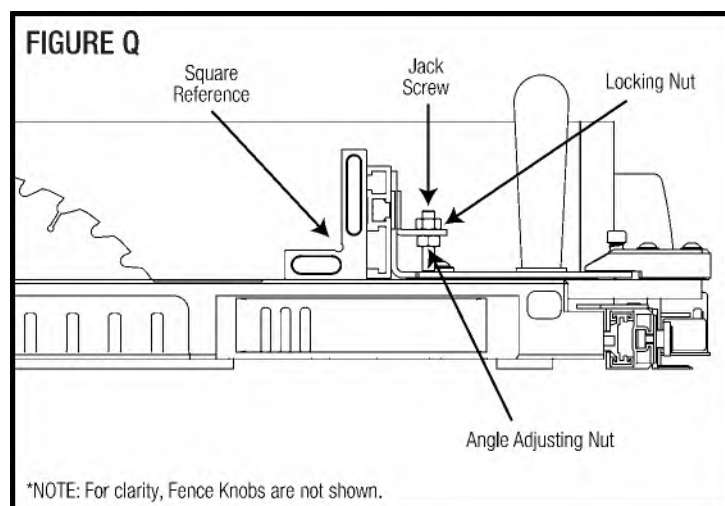
## VI. CALIBRATING THE MITER ANGLE

1. The miter angle of the StealthStop Miter Gauge is adjusted at the factory, but may require fine tuning for your specific table saw.
2. Begin by raising your saw blade as high as it can go, and bringing the StealthStop Miter Gauge forward.
3. Loosen the Clamping Handle and adjust the Miter Gauge square to the blade using a good known square reference, such as a Woodpeckers 4" Precision Triangle (not included), **FIGURE P**
4. Tighten the Knob Handle to lock in this angle.
5. Next, use the included 1/8" Hex L Key to loosen the two button head cap screws on the angle detent bar.
6. Depress the angle detent button and wiggle the angle detent bar until the pin drops into the detent.
7. While keeping the button depressed, adjust the angle detent bar until the angle indicator pip lines up with the laser engraved "0" line.
8. Continuing to hold the button depressed and the pip on the "0" line, tighten the two button Head Cap Screws to lock in the calibration.
9. Check calibration by loosening the Clamping Handle and then re-engaging the detent at 0°, checking that your known square reference looks good. Repeat adjustment to desired accuracy.



## VII. CALIBRATING THE FENCE ROLL ANGLE

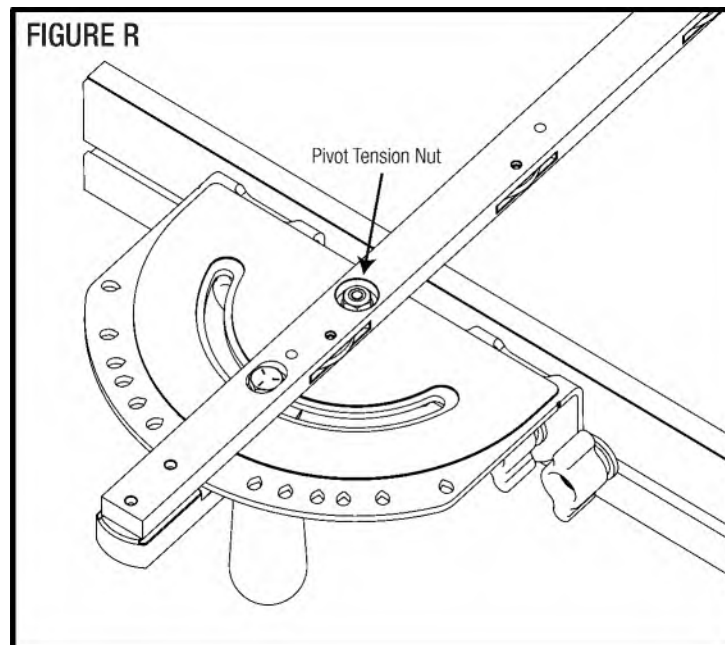
1. The StealthStop Miter Gauge can be adjusted to square the fence to the saw table surface. The Miter Gauge is purposely bent past square, to allow for the jack screws to have fine adjustment.
2. To square the roll angle, first place a known square reference, such as a Woodpeckers Mini Square (not included) against the front of the fence. **FIGURE Q**
3. Next, use a 7/16" open ended wrench (not included) to crack loose the upper hex nuts on the jack screw assemblies. Loosen a few turns to give room for adjustment.
4. Then, place the 7/16" wrench onto one of the lower hex nuts and the included 1/8" Hex L-Key into the socket of the jack screw.
5. Prevent the screw from turning with the hex key and use the wrench to tighten or loosen the lower hex nut to adjust the roll angle. Do so until the reference square touches at both top and bottom of the fence.
6. The second jack screw assembly can be adjusted the same, but just until the bottom nut starts to meet resistance.
7. Once the roll angle is good and both lower hex nuts are snug up against the flange, tighten the upper hex nuts to lock in the adjustment. Again, using the 1/8" Hex L-Key to prevent the jack screws from spinning.



## VIII. ADJUSTING MITER HEAD PIVOT TENSION

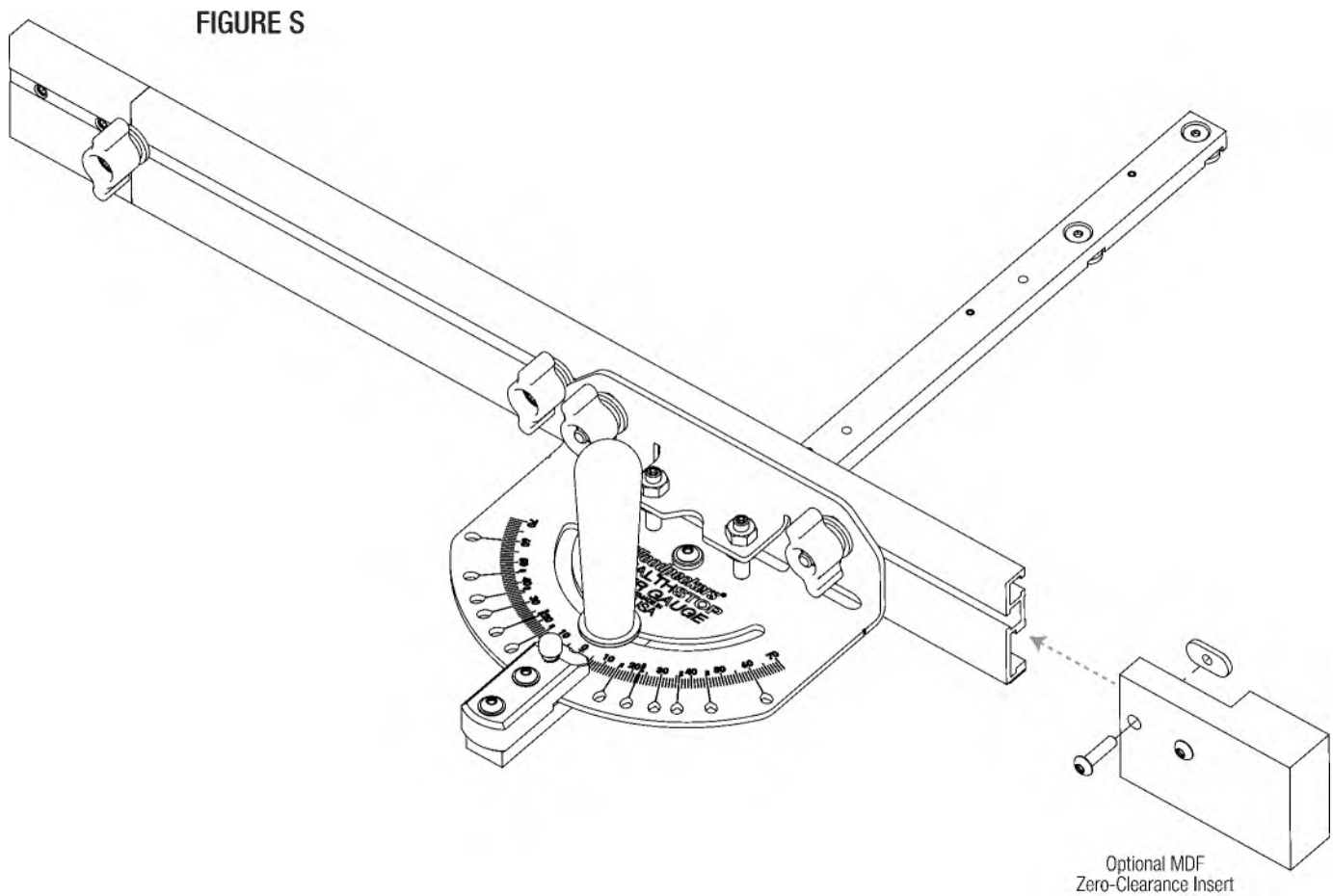
1. To adjust the Miter Head Pivot Tension, flip the Miter Gauge upside down and locate the nylon lock nut on the bottom side of the pivot.
2. Using a 3/8" hex socket (not included), tighten or loosen the nut to set the tension on the pivot. Only a very minor amount of adjustment should ever be required. *FIGURE R*

**\*NOTE: DO NOT LOOSEN THE BUTTON HEAD CAP SCREW ON THE TOP SIDE OF THE PIVOT. THE CONNECTION IS INTENDED TO BE PERMANENT AND WILL THROW OFF ANGLE CALIBRATION.**



## IX. OPTIONAL ACCESSORIES

- Additional StealthStop Flip Stops are available in 2-packs. (SKU: SSX2)
- A MDF Zero-Clearance Insert is available to reduce chance of tear out when cross cutting. These inserts are available in 3-packs (SKU: SSMGZC-3PK), and come with necessary hardware to mount to the fence. **FIGURE S**
- Longer fences are available in lengths of 29" (SKU SSMGF29 - includes 2 StealthStops), 32" (SKU: CT32 - track only, no stops) or 48" (SKU: CT48 - track only, no stops)
- A 1/8", Ball End, Hex Screwdriver is available. (SKU: BD-0707.474)



# Woodpeckers®

Woodpeckers, LLC Strongsville, Ohio  
**woodpeck.com**  
© 2023 Woodpeckers, LLC



**At Woodpeckers we are constantly reviewing & improving our tools. The most current version of our instruction manuals are always available to download at woodpeck.com.**  
*(Located in the bottom section of the tool's page under the "Additional Information" or "Instructions" tabs.)*



**Be the first to know all the new products, OneTIME Tools & sales by subscribing to our eClub.** *(Located at the top center of our webpage woodpeck.com.)*



**Subscribe to our YouTube channel to stay up-to-date on all the latest tool tips & tricks.**



**INTERACT WITH US! Follow us on Facebook, Instagram & TikTok!**



**Enjoy shop tips, project ideas, tool techniques & more in our Woodworking Resource Center/Blog.** *(Located at the bottom center of our webpage woodpeck.com.)*



**WARNING!**  
This product can expose you to chemicals, including chromium, which is known to the State of California to cause cancer and birth defects or other reproductive harm. For more information go to [www.P65Warnings.ca.gov](http://www.P65Warnings.ca.gov)