

Woodpeckers®

MT CENTER GAUGE & DOWELING JIG

OWNER'S MANUAL

Each sold separately



Scan the QR code above to watch the video or visit woodpeck.com under the video tab towards the bottom of the product page.

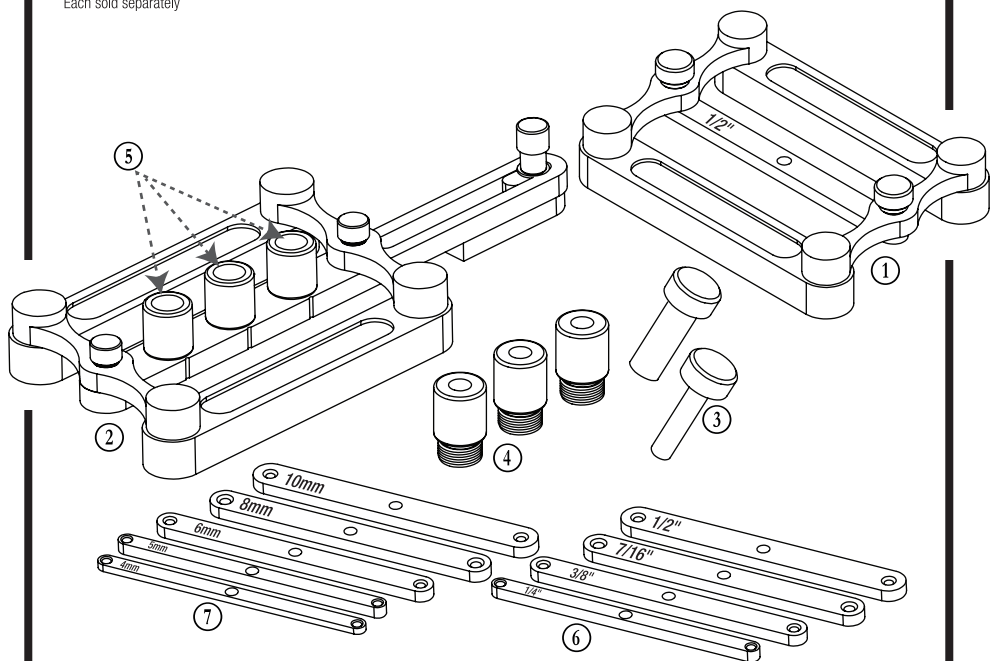


DIAGRAM NUMBER	PART NAME	DELUXE	COMPLETE	MT CENTER	DOWELING
		KIT	KIT	GAUGE	JIG
				INCH-or-MM	INCH-or-MM
①	MT Center Gauge	1	1	1	--
②	MT Doweling Jig	1	1	--	1
③	Indexing Pin	2	2	--	2
④	1/4" Drill Bushing	1	1	--	1
⑤	3/8" Drill Bushing	1	1	--	1
⑥	Stainless Steel Marking Bar Inch (4 Bars) 1/4", 3/8", 7/16" & 1/2"	1	1	1	1
⑦	Stainless Steel Marking Bars Metric (5 Bars) 4, 5, 6, 8 & 10mm	1	1	-or- 1	-or- 1

If you think you're missing anything, email us at mailroom@woodpeck.com.
You can also call us at 800-752-0725 from 9:00 a.m. to 4:00 p.m. EST Monday - Friday.

MT CENTER GAUGE & DOWELING JIG

The centering frame of the **Woodpeckers MT Center Gauge & Doweling Jig** features a simple geometric principle, the centerline of a parallelogram is always the center, regardless of the distance between the two sides. What this means for you in the shop is that when you put the gauge on a board and squeeze it together, the center bar is precisely centered on your stock. Woodpeckers has used that elegantly simple foundation for three functions, locating the centerline of your stock, laying out centered mortises and tenons, and drilling perfectly centered holes.

I. LOCATING & MARKING THE CENTERLINE OF A BOARD

Install the Stainless Steel Marking Bar ⑥ or ⑦ of choice in the MT Center Gauge ① frame with the Knobs as shown. **FIGURE A.**

All of the Stainless Steel Marking Bars have a small hole bored in their center. Simply close the MT Center Gauge on your stock, put a pencil in the center-bore and slide the MT Center Gauge along your board. **FIGURE B.** It doesn't matter which marking bars you use. All of them will work exactly the same.

II. LAYING OUT TENONS & MORTISES

The Stainless Steel Marking Bars come in 4 fractional sizes (1/4", 3/8", 7/16" & 1/2") and 5 metric sizes (4, 5, 6, 8 & 10mm). (*Depending on which package you purchased, you have all fractional, all metric or both.*) For whatever size mortise you want to lay out, install the correct Stainless Steel Marking Bar. Position the MT Center Gauge so it slightly overlaps the start and end lines of your mortise or tenon. Close the MT Center Gauge on your stock. Now the Stainless Steel Marking Bar is precisely located at the center of your stock. Mark each side of the Stainless Steel Marking Bar. **FIGURE C.**

FIGURE A. Knob

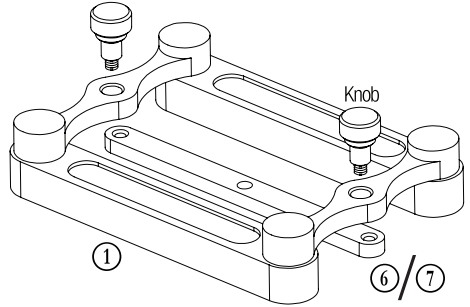


FIGURE B.

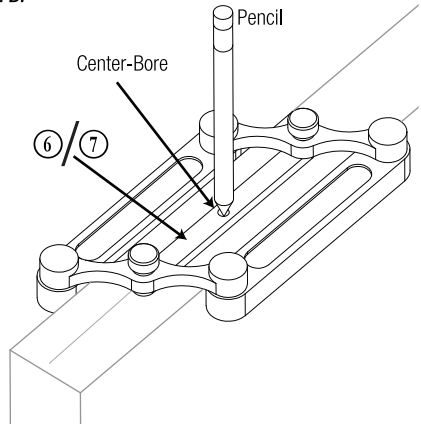
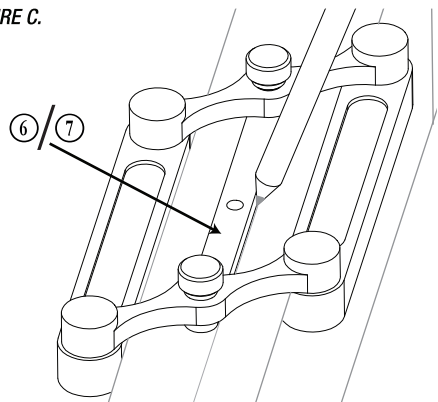


FIGURE C.



III. MT DOWELING JIG

Install the Center Bar in the MT Center Gauge Frame with the Knobs as shown. Install the desired Drill Bushings (4) or (5) in the MT Doweling Jig (2) Center Bar. **FIGURE D.**

Close the MT Doweling Jig onto your stock and shift it to position the Drill Bushing to your desired dowel location. Drill your dowel holes to the desired depth. **FIGURE E.**

The End Stop can be used to position the MT Doweling Jig repetitively. **FIGURE F.**

Use the Indexing Pins (3) to accurately space a series of holes down the length of a board. **FIGURE G.**

FIGURE D.

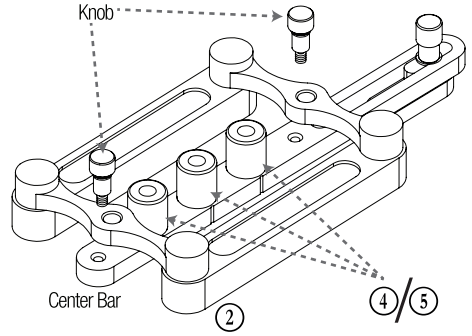


FIGURE E.

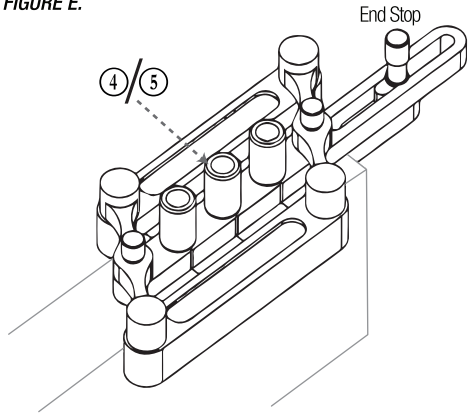


FIGURE F.

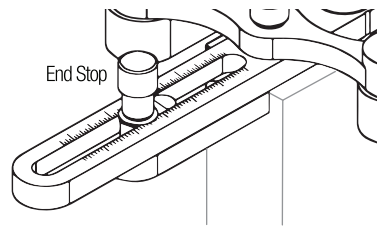
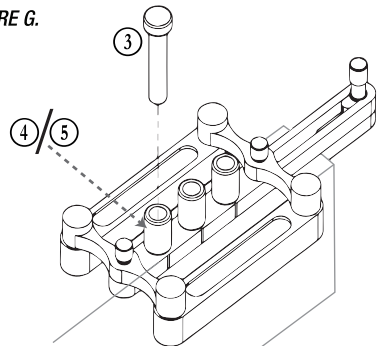


FIGURE G.



Woodpeckers®

Woodpeckers, LLC Strongsville, Ohio

woodpeck.com

© 2021 Woodpeckers, LLC



At Woodpeckers we are constantly reviewing & improving our tools. The most current version of our instruction manuals are always available to download/print at woodpeck.com via the tool's page.

(Located in the bottom section of the tool page under the "Additional Information" or "Instructions" tabs.)



Be the first to know all the new products & sales by subscribing to our eClub.

(Located at the top center of our webpage woodpeck.com.)



Subscribe to our YouTube channel to stay up-to-date on all the latest tool tips & tricks.



Interact with us! Follow us on Facebook & Instagram!



WARNING! This product can expose you to chemicals, including chromium, which is known to the State of California to cause cancer and birth defects or other reproductive harm. For more information go to www.P65Warnings.ca.gov