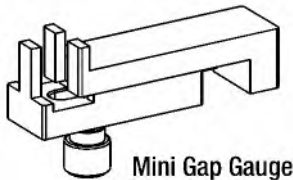
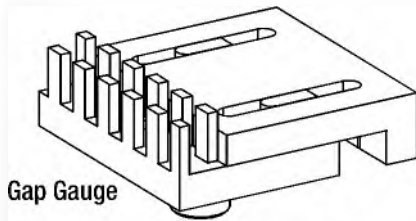


Woodpeckers®

GAP GAUGE & MINI GAP GAUGE

OWNER'S MANUAL



Scan the QR code above to watch the video or visit woodpeck.com under the video tab towards the bottom of the product page.

If you think you're missing anything, email us at mailroom@woodpeck.com. You can also call us at 800-752-0725 from 9:00 a.m. to 4:00 p.m. EST Monday - Friday.

FINDING THE THICKNESS OF THE BOARD

1. Place the Gap Gauge on top of the board, slide the halves together until they touch the board and tighten the Knob. This step gives you the thickness of the board. **FIGURES A & B.**
2. If you are making a mortise and tenon joint, make your mortise cut in your board. Use the the Gap Gauge to measure the width of your mortise by placing the fingers of the Gap Gauge into the mortise slot. **FIGURE C.** Spread the two halves apart till they are snug in the slot then tighten the Knob.
3. On the opposite end of the Gap Gauge, you automatically have the correct gap size to check the thickness of your tenon, so you can make a perfect size tenon to match your mortise. **FIGURE C.** Cut your tenon, then check it with the Gap Gauge, it should fit snugly for a proper fit. If too tight, fine tune your tenon till it snugly fits into the Gap Gauge.

FIGURE A - Gap Gauge

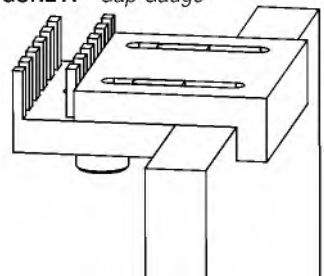


FIGURE B - Mini Gap Gauge

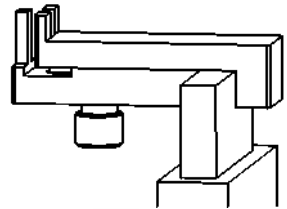
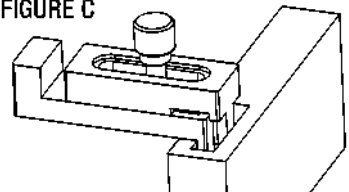
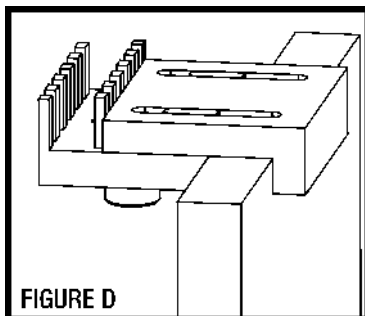


FIGURE C

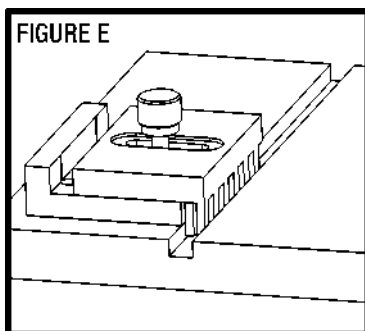


SETTING UP DADO CUTTING BLADES

1. With your Gap Gauge set to the desired thickness, you can use it to set-up your dado cutting blades. Assemble your dado blades together, then slide the Gap Gauge over the blades. If it snugly slides over the blades your dado blades are set correctly. If too loose or too large, make your correction till the gauge fits over the blades.

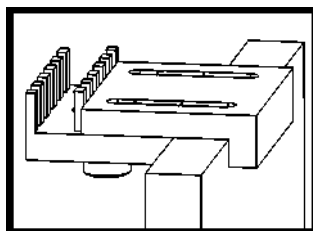


2. To set the dado blades to your boards' thickness, set the gauge to your boards thickness and use the fingers for your dado stack. **FIGURE D.** Or if you already have your dado preset, set the gap gauge to your dado blades thickness. **FIGURE E.**

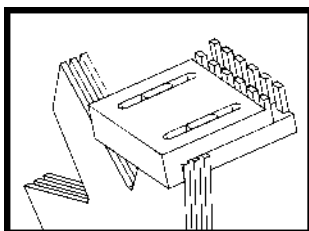


3. Once you have cut your dado, place the fingers of the Gap Gauge in the slot for a final check. Now you can plane your board to the correct thickness and check it with the other side of Gap Gauge for a perfect fit.

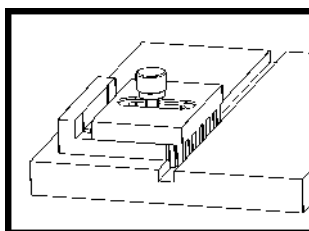
USE THE GAP GAUGE TO...



Use your Gap Gauge to find or check the thickness of your board.



To set or measure the thickness of your dado cutting blades.



To check or find the gap of your dado.

Woodpeckers®

PRECISION WOODWORKING TOOLS

Woodpeckers, LLC Strongsville, Ohio · [woodpeck.com](http://www.woodpeck.com)

© 2024 Woodpeckers, LLC

REV0210324



WARNING! This product can expose you to chemicals, including chromium, which is known to the State of California to cause cancer and birth defects or other reproductive harm. For more information go to www.P65Warnings.ca.gov