

# Woodpeckers®

## MULTI-ROUTER DUST CABINET RETROFIT KIT

### OWNER'S MANUAL

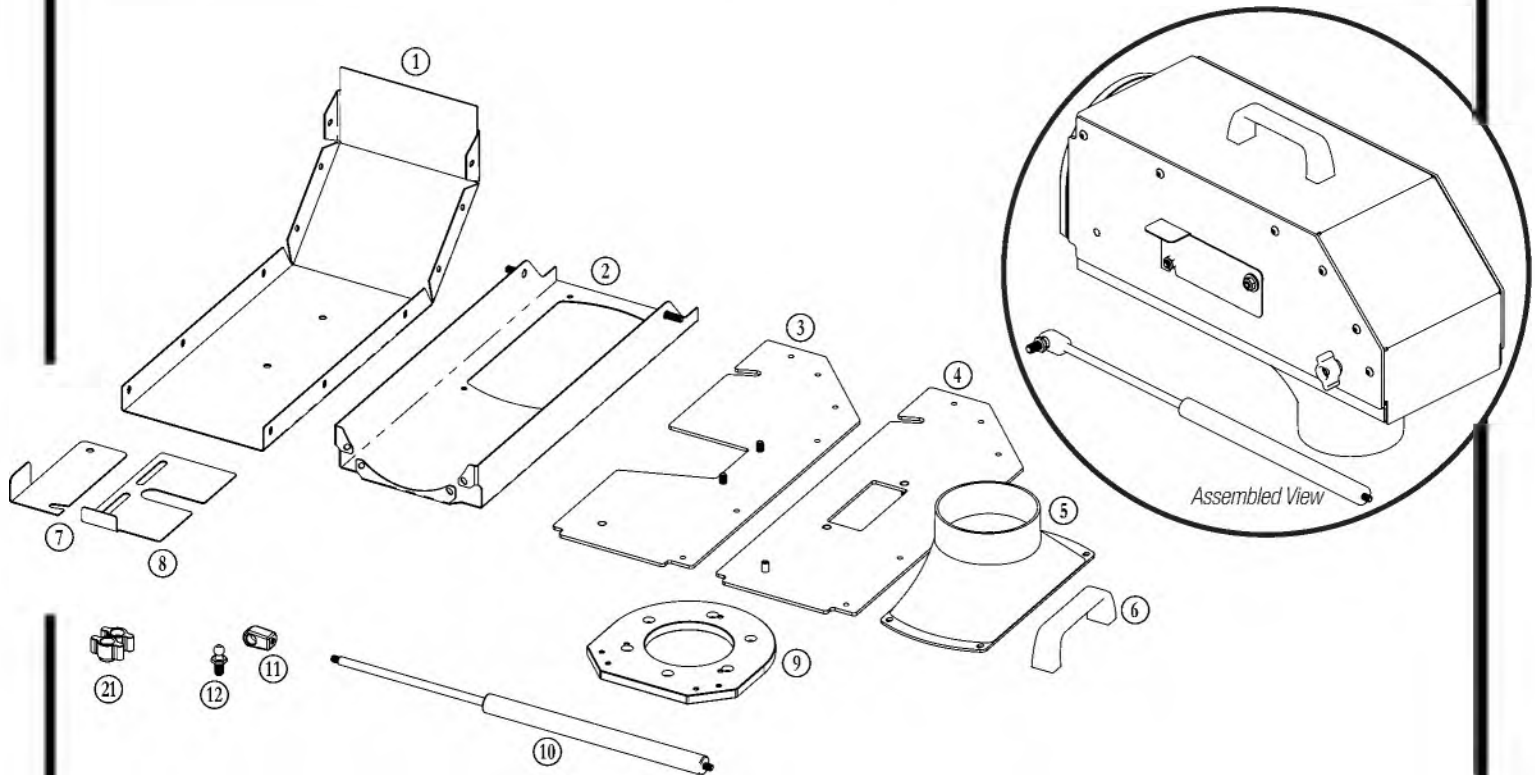


DIAGRAM NUMBER	(QTY)	PART NAME
----------------	-------	-----------

①	(1)	Lid
②	(1)	Bottom Panel
③	(1)	Side Window (Cord Side)
④	(1)	Side Window (Switch Side)
⑤	(1)	Connector
⑥	(1)	Lid Handle
⑦	(1)	Router Switch Access Cover
⑧	(1)	Cord Pass Thru Cover
⑨	(1)	Dust Box Retrofit Router Plate Adapter
⑩	(1)	Gas Spring, 30lb
⑪	(1)	Gas Spring Ball Socket
⑫	(1)	Gas Spring Ball Stud

DIAGRAM NUMBER	(QTY)	PART NAME
----------------	-------	-----------

#### HARDWARE BAG

⑬	(20)	Button Head Cap Screw, #10-24 x 3/8"
⑭	(6)	Flat Head Cap Screw, #10-24 x 5/8"
⑮	(16)	Thin Nylon Locknut, #10-24
⑯	(4)	Washer, #10-24
⑰	(2)	Button Head Cap Screw, 1/4-20 x 1/4"
⑱	(4)	Thin Nylon Locknut, 1/4-20
⑲	(3)	Large Nylon Washer
⑳	(3)	Small Nylon Washer
㉑	(2)	Multi-Knob, 1/4-20

If you think you're missing anything, email us at [mailroom@woodpeck.com](mailto:mailroom@woodpeck.com).  
You can also call us at 800-752-0725 from 9:00 a.m. to 4:00 p.m. EST Monday - Friday.

# I. DUST CABINET ASSEMBLY

## A. ASSEMBLE THE DUST CABINET BOTTOM

1. Layout all the components and hardware as shown on Page 1 and verify the quantities against the parts list.

2. Begin by assembling the Bottom Panel components. Take the Dust Box Retrofit Router Plate Adapter (9) and assemble to the Bottom Panel (2) by using (4) Button Head Cap Screws (13) and the (4) Washers (16). **FIGURE 1.**

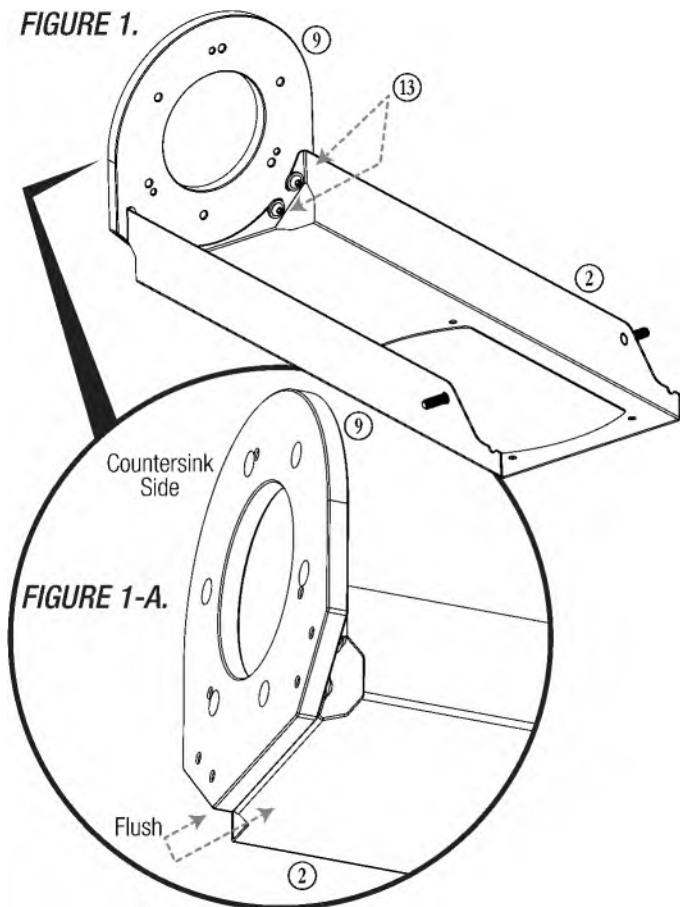
3. The countersinks in the Dust Box Retrofit Router Plate Adapter should be facing away from the rest of the Bottom Panel. The bottom of the Bottom Panel should be roughly flush with the bottom of the Dust Box Retrofit Router Plate Adapter **FIGURE 1-A.**

4. Install the Connector (5) onto the Bottom Panel using (4) Button Head Cap Screws (13) and the (4) Thin Nylon Locknuts (15). The Button Head Screws should be on the inside of the Bottom Panel. **FIGURE 2.**

5. Install your router motor base (*not included*) onto the Retrofit Router Plate Adapter, using (3) Flat Head Cap Screws (14). Refer to **FIGURE 3.** for which holes to use for your router.

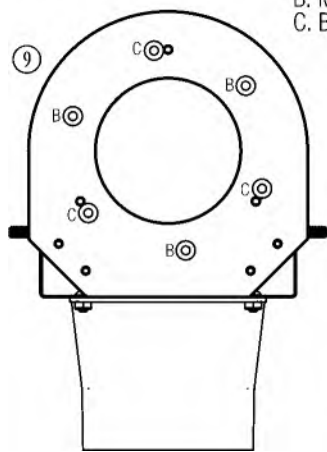
6. The Bottom Panel subassembly is now complete. This now gets mounted to your Multi-Router using the (3) remaining Flat Head Cap Screws (14). Refer to **FIGURE 4.** for which holes to use the screws in.

**FIGURE 1.**

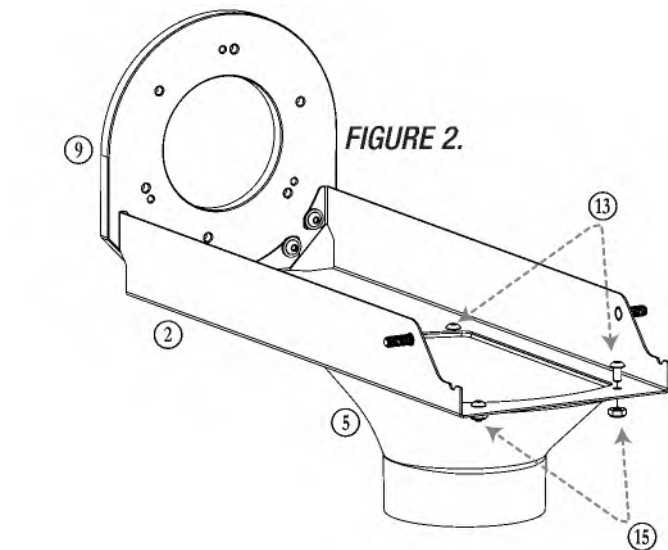
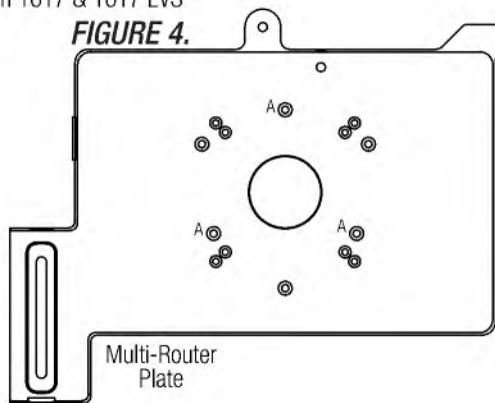


**FIGURE 3.**

- A. Multi-Router Attachment Holes
- B. Milwaukee 5615-20 & 5616-20
- C. Bosch 1617 & 1617 EVS



**FIGURE 4.**

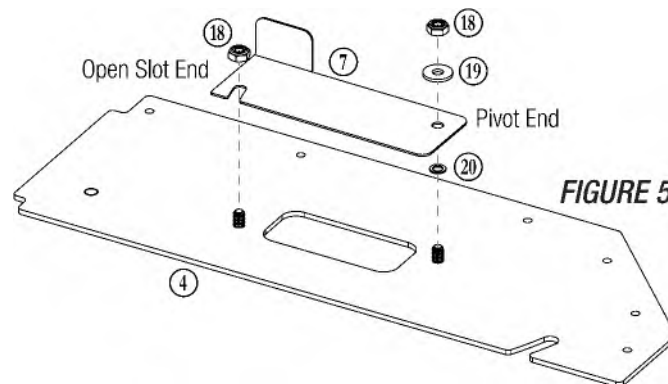


## B. ASSEMBLE THE DUST CABINET LID

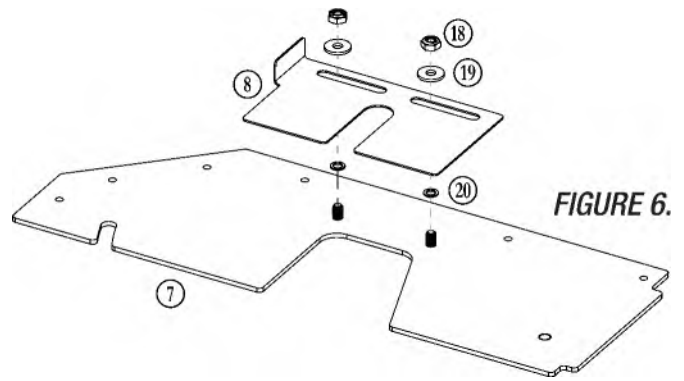
1. Remove the protective film from the Side Windows (3) and (4).

2. Install the Router Switch Access Cover (7) onto the Side Window (Switch Side) (4). On the pivot end (side with the hole) of the Router Switch Access Cover, place (1) Small Nylon Washer (20) onto the stud, then the Router Switch Access Cover, followed by a Large Nylon Washer (19) and a Thin Nylon Locknut (18). The Thin Nylon Locknut only needs to be loose enough to permit the Router Switch Access Cover to pivot. **FIGURE 5.**

3. On the open slot end of the Router Switch Access Cover, install a Thin Nylon Locknut (18). Again, this Thin Nylon Locknut only needs to be tightened to come close to the Side Window (Switch Side), but not so much that it prevents movement.



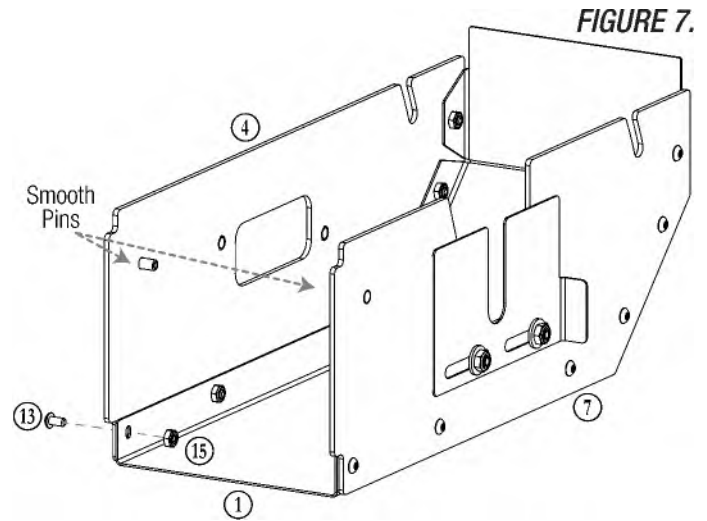
4. Install the Cord Pass Thru Cover (8) onto the Switch Access Cover (7). Install (2) of the Small Nylon Washers (20) onto the studs of the Switch Access Cover followed by the Cord Pass Thru Cover and (2) Large Nylon Washers (19) and a Thin Nylon Locknut (18). The Thin Nylon Locknuts need to be loose enough to allow the Cord Pass Thru Cover to slide back and forth in the slots easily. **FIGURE 6.**



5. Take both Side Windows with Cover assemblies and install them on the Lid (1). Use (12) Button Head Screws (13) with the (12) Thin Nylon Lock nuts (15) to install the Side Windows.

**NOTE:** The heads of the Button Head Cap Screws as well as the Side Window assemblies should be on the outside of the Lid assembly. **FIGURE 7.**

6. To easily align the Side Window assemblies in the slots on the Lid, install the Side Window assemblies with the Lid upside down so that the Side Window assemblies both register on the same surface while tightening the Button Head Cap Screws and Thin Nylon Locknuts.



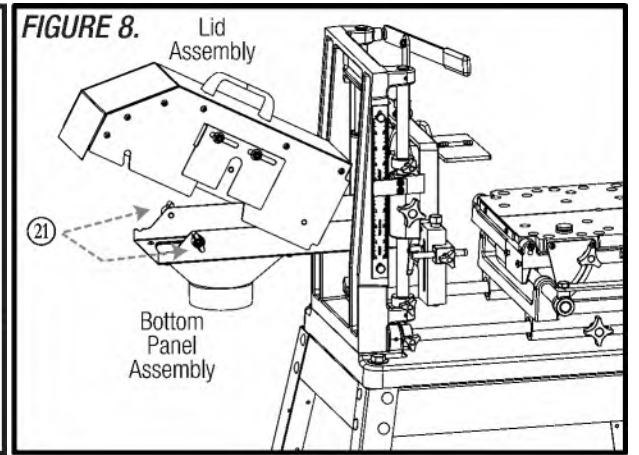
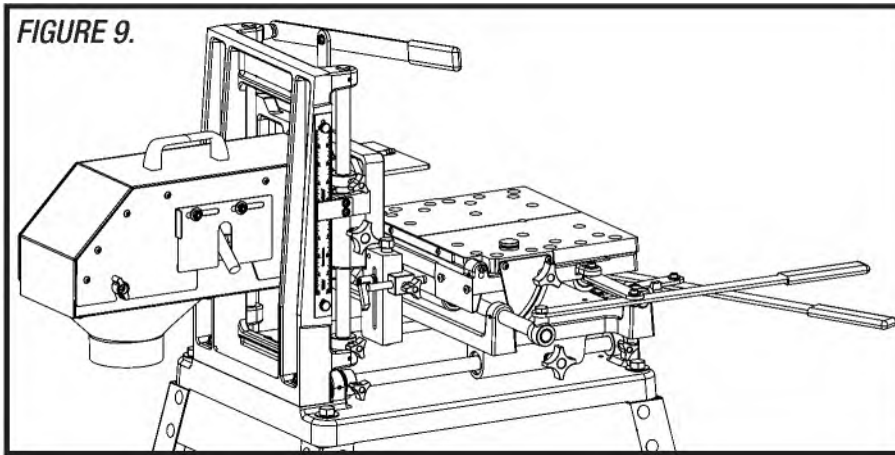
7. Install the Lid Handle (6) onto the Lid assembly using (2) Button Head Cap Screws (17).

### C. INSTALL DUST CABINET LID ONTO BOTTOM PANEL

1. Holding the Lid assembly by the Lid Handle, tip the Lid forward so that the Smooth Pins (see **FIGURE 7**) on the Side Windows come into contact with the Bottom Panel while also ensuring that the Bottom Panel is in between the two Side Windows on the Lid assembly.

2. Keeping the Smooth Pins in contact, slide the Lid assembly forward and into position, so that the Arced Slots in the Side Windows slip over the Studs in the bottom panel. **FIGURE 8.**

3. Secure the Lid to the Bottom Panel by screwing the (2) Multi-Knobs (21) onto the Studs on the Bottom Panel. **FIGURE 9.**



## II. OTHER MODIFICATIONS TO THE MULTI-ROUTER

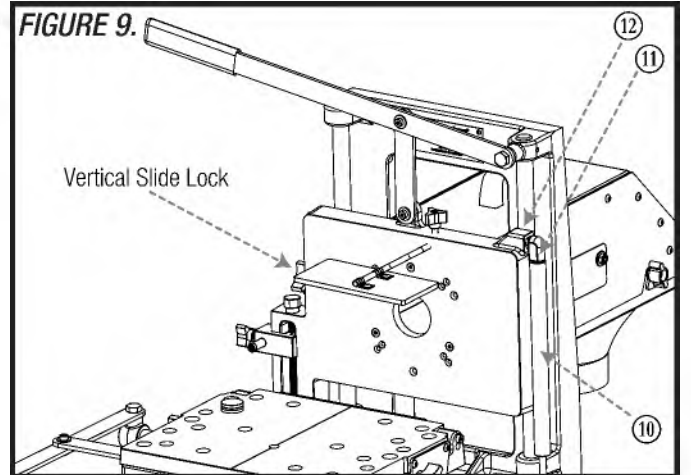
With the added weight of the Dust Cabinet and the attached hose, a stronger gas spring is required.

1. To remove the existing gas spring on the machine, use a flat blade screw driver to pull back the metal clip holding the top end of the gas spring to the ball stud mounted in the vertical slide.

**NOTE:** Ensure that the vertical slide carriage is locked in position **BEFORE** removing the gas spring, or the whole carriage could drop unexpectedly!

2. Fully remove the gas spring by unthreading the nose from where it attaches to the base of the Multi-Router.

3. The Dust Cabinet Retrofit Kit comes with a Gas Spring (10), a new Gas Spring



Ball Socket ⑪ and a new Gas Spring Ball Stud ⑫. **NOTE:** The existing ball stud can be re-used, but if it looks in poor condition, remove it and re-place with the new one.

4. Thread the Gas Spring Ball Socket ⑪ onto the exposed threads on the body (larger diameter) end of the Gas Spring ⑩.
5. Thread the rod end of the Gas Spring into the tapped hole in the base of the Multi-Router.
6. Snap the Gas Spring Ball Socket onto the Gas Spring Ball Stud, release the vertical slide carriage lock and test function.

### III. SAFETY CHECK FUNCTION -VERTICAL SLIDE

With the Dust Cabinet, a dust collection hose and a router installed, the new Gas Spring should always force the vertical slide to the top of travel. **If not, please contact customer support for assistance, as operating the machine will be unsafe.**

### VI. USING THE DUST CABINET

- Connect the Dust Cabinet to a dust collector using a 4" hose. Use as short a hose as possible, and ensure that you are using a suitable dust collector for the application (*not a shop vac*).
- To adjust speed of the router motor, or to turn off/on, rotate the Switch Access Cover up out of the way without removing the Lid. Close the Lid when done to ensure best dust collection performance.
- **To adjust depth of cut or change a bit:**
  1. Loosen the two Multi-Knobs securing the Lid to the Bottom Panel.
  2. Grab the Lid Handle and begin pivoting the Lid so that the Arced Slots clear the Studs.
  3. Fully remove the Lid by sliding the Lid along the Bottom Panel on the Smooth Pins until it fully clears the upright casting.
  4. Lift the Lid to fully remove. There are divots in the bottom panel to permit hanging of the lid by the Smooth Pins.
  5. You now have full access to your router motor to adjust the bit extension or to remove the router motor completely to change bits.
  6. To reinstall the lid, follow Steps 1-5 in reverse.

**NOTE:** When re-installing the Lid, make sure that the Cord Cover correctly straddles the power cord, and does not pinch the cord.

- The Side Windows of the Dust Cabinet enable you to visually see the chips being collected and helps you keep an eye on the intake of your router motor.
- **If your router motor intake fan gets clogged with chips:**
  1. Stop operation when safe, remove Dust Cabinet Lid, then remove chips around intake grille.
  2. If your router motor intake is constantly clogging with chips and debris, your dust collector may not be sufficient.
- The Dust Cabinet collects most of the chips/dust/debris generated from routing with the Multi-Router.
- Best performance will be when using a sharp, spiral up-cut router bit.
- Steady, slow motions will allow time for chips to evacuate the cut without clogging.
- When doing mortises, clearing at multiple depths before doing a final, full depth pass, will aid in evacuating chips.

# Woodpeckers®

Woodpeckers, LLC Strongsville, Ohio

**woodpeck.com**

© 2022 Woodpeckers, LLC



**At Woodpeckers we are constantly reviewing & improving our tools. The most current version of our instruction manuals are always available to download/print at woodpeck.com via the tool's page.**

*(Located in the bottom section of the tool page under the "Additional Information" or "Instructions" tabs.)*



**Be the first to know all the new products & sales by subscribing to our eClub.**

*(Located at the top center of our webpage woodpeck.com.)*



**Subscribe to our YouTube channel to stay up-to-date on all the latest tool tips & tricks.**



**Interact with us! Follow us on Facebook & Instagram!**



**WARNING!**

This product can expose you to chemicals, including chromium, which is known to the State of California to cause cancer and birth defects or other reproductive harm.

For more information go to [www.P65Warnings.ca.gov](http://www.P65Warnings.ca.gov)