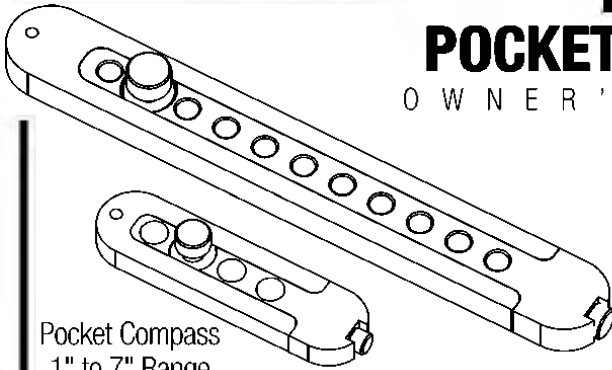


# Woodpeckers®

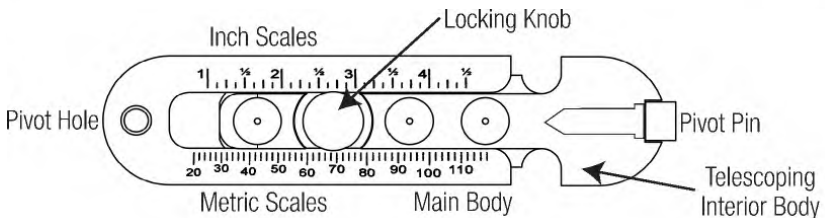
## POCKET COMPASS

OWNER'S MANUAL

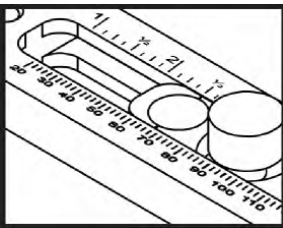


Pocket Compass  
1" to 7" Range

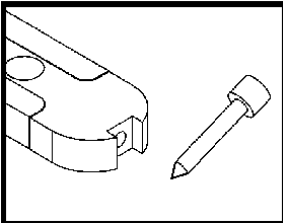
Pocket Compass XL  
2" to 21" Range



The main body of the Pocket Compass & Pocket Compass XL consists of two telescoping, precision machined aluminum parts: one with a Pivot Hole and engraved Inch & Metric Scales, the other with pencil holes.



Built-in Inch & Metric Rulers for quick set-up of the Pocket Compass.



Stainless steel Pivot Pin stores in the end of the Compass.



Scan the QR code above to watch the video or visit [woodpeck.com](http://woodpeck.com) under the video tab towards the bottom of the product page.

If you think you're missing anything, email us at [mailroom@woodpeck.com](mailto:mailroom@woodpeck.com). You can also call us at 800-752-0725 from 9:00 a.m. to 4:00 p.m. EST Monday - Friday.

1. Adjust the Interior Body and the Main Body until the alignment mark matches the desired diameter. **FIGURE A.**

2. Tighten the Locking Knob by turning it clockwise.

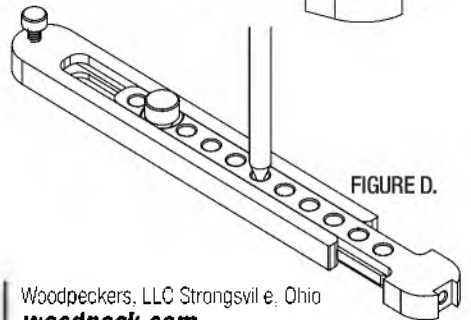
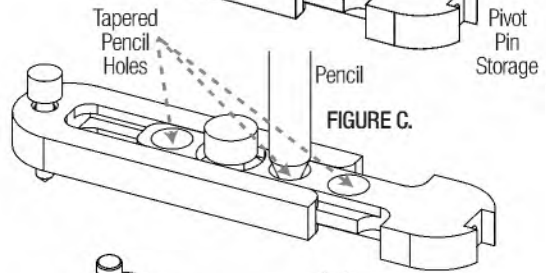
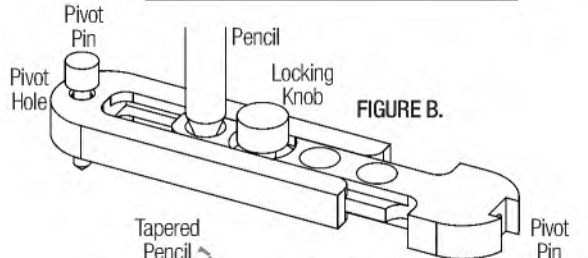
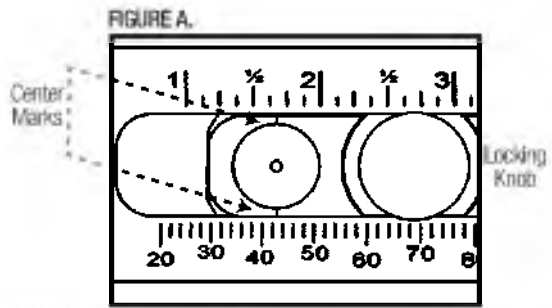
3. Remove the Pivot Pin from its storage position and slide it into the Pivot Hole. **FIGURE B.**

4. Locate the Pivot Pin at the center of your desired arc. Gently hold down on the Pivot Pin.

5. Place the tip of a sharp pencil or scribe into the corresponding Tapered Pencil Hole and draw your circle. **FIGURE C.**

6. The Pocket Compass XL works exactly the same. Shown with the pencil in the +5 Pencil Hole. **FIGURE D.**

**NOTE:** The Pocket Compass works best with mechanical pencils that use .7mm or .9mm lead.



# Woodpeckers®

Woodpeckers, LLC Strangsville, Ohio

[woodpeck.com](http://woodpeck.com)

© 2024 Woodpeckers, LLC



[woodpeck.com](http://woodpeck.com)

At Woodpeckers we are constantly reviewing & improving our tools. The most current version of our instruction manuals are always available to download at [woodpeck.com](http://woodpeck.com).

(Located in the bottom section of the tool's page under the "Additional Information" or "Instructions" tabs.)



Be the first to know all the new products, **OneTIME Tools & sales** by subscribing to our eClub. (Located at the top center of our webpage [woodpeck.com](http://woodpeck.com).)



Subscribe to our YouTube channel to stay up-to-date on all the latest tool tips & tricks.



**INTERACT WITH US!** Follow us on Facebook, Instagram & TikTok!



Enjoy shop tips, project ideas, tool techniques & more in our **Woodworking Resource Center/Blog**. (Located at the bottom center of our webpage [woodpeck.com](http://woodpeck.com).)



**WARNING!** This product can expose you to chemicals, including chromium, which is known to the State of California to cause cancer and birth defects or other reproductive harm. For more information go to [www.P65Warnings.ca.gov](http://www.P65Warnings.ca.gov)