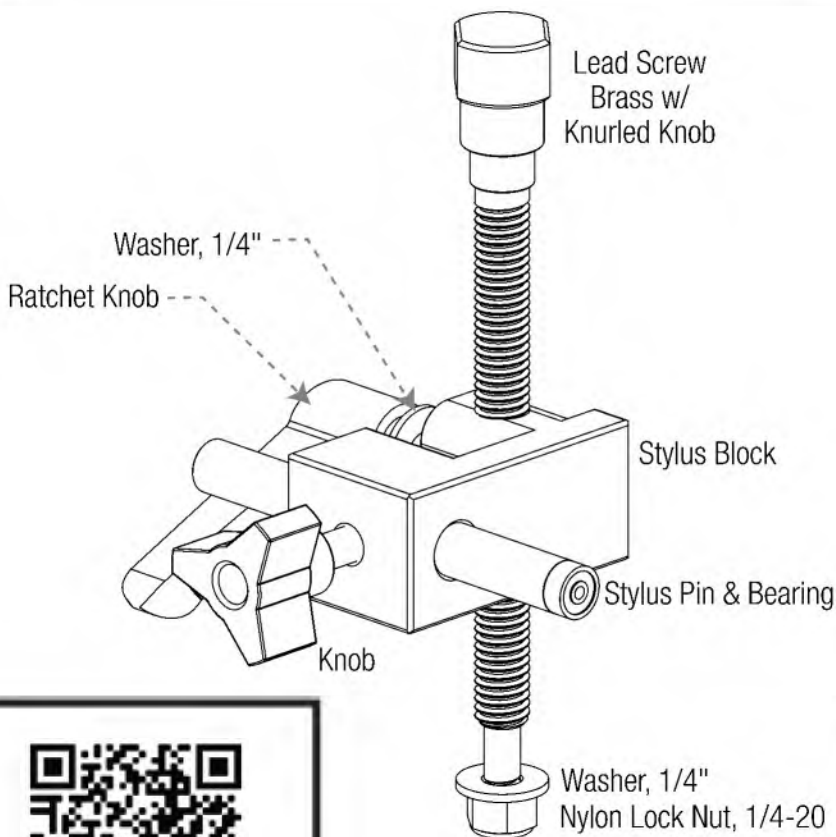


Woodpeckers®

MULTI-ROUTER STYLUS ADJUSTMENT BLOCK UPGRADE KIT

O W N E R ' S M A N U A L



Scan the QR code above
to watch the videos
or visit woodpeck.com
under the video tab towards
the bottom of the product page.

If you think you're missing anything, email us at
mailroom@woodpeck.com.
You can also call us at 800-752-0725 from 9:00 a.m.
to 4:00 p.m. EST Monday - Friday.

I. INSTALLING THE STYLUS BLOCK UPGRADE KIT FOR THE MULTI-ROUTER

1. The Stylus Adjustment Block Upgrade Kit for the Multi-Router is an updated, tighter tolerance version of the stylus block system for older Multi-Router Machines.

2. Begin by removing the existing stylus block assembly.

3. Install the Stylus Adjustment Block Upgrade into the groove on the vertical slide of the Multi-Router. **FIGURE 1.**

4. Feed the Lead Screw through the hole in the vertical slide, then thread through the Stylus Block until the Stylus Block is about half way along the thread of the Lead Screw.

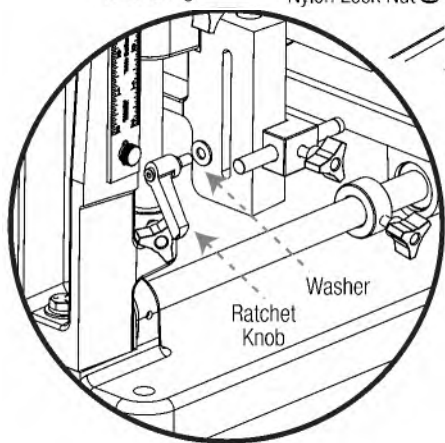
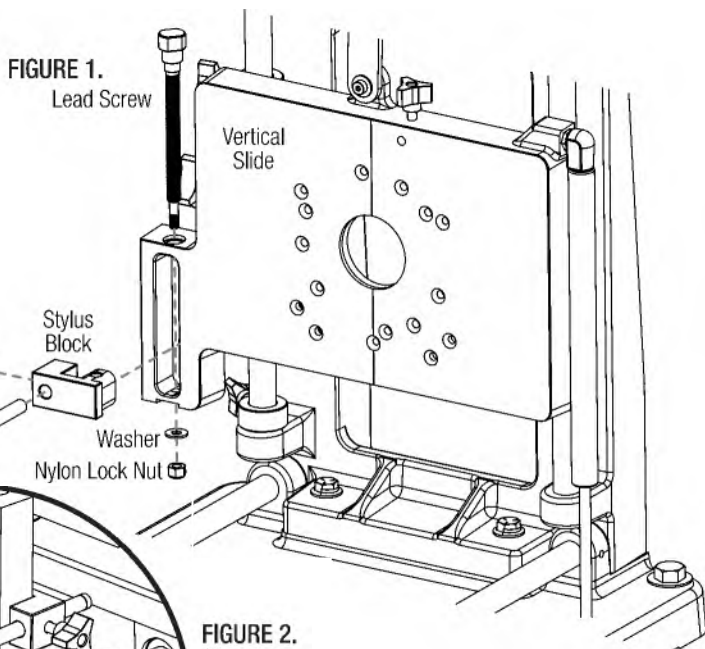


FIGURE 2.
View from
back of the
Multi-Router

5. Install the Washer and the Nylon Lock Nut on the bottom side of the Lead Screw, tighten until play in the Lead Screw is gone by using a 5/8" wrench on the Lead Screw and a 7/16" wrench on the Nylon Lock Nut.

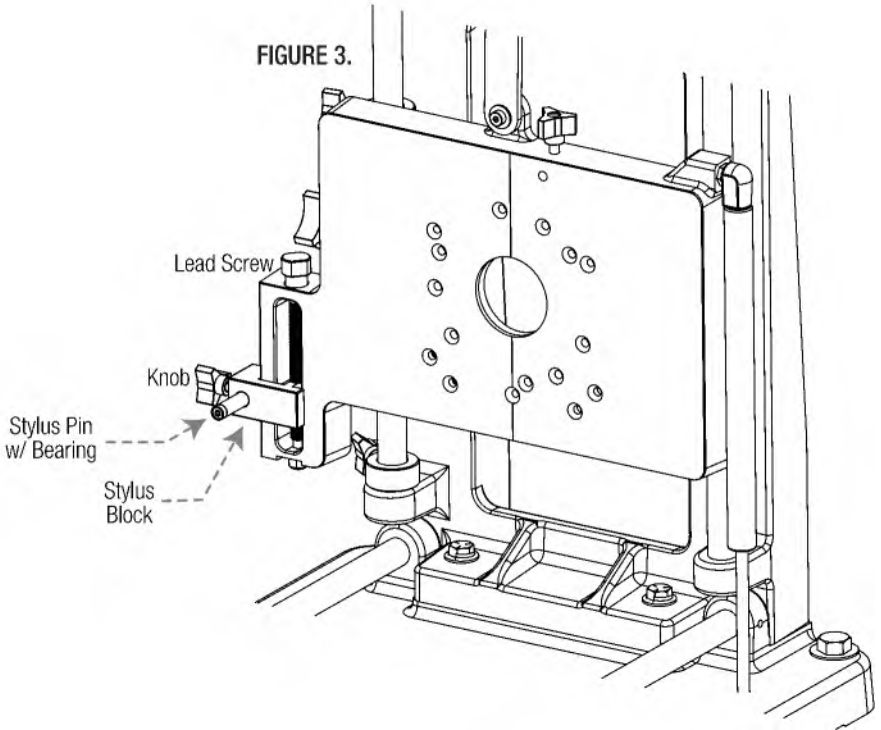
NOTE: If the Nylon Lock Nut is too tight, it may be very difficult to turn the Lead Screw by hand.

6. Test function of the Lead Screw. Turning the Lead Screw should raise or lower the Stylus Block. There should not be excessive up/down

play and the Lead Screw should be able to spin without use of a tool.

7. Install the Ratchet Knob and with the Washer onto the backside of the Vertical Slide, into the threaded hole on the Stylus Block. **FIGURE 2.**

FIGURE 3.



8. Install the Stylus Pin & Bearing, and lock it into place with the Knob. **FIGURE 3.**

II. USING THE STYLUS ADJUSTMENT BLOCK

1. The Stylus Adjustment Block Upgrade functions much the same as the original stylus block.
2. To micro-adjust the position of the Stylus, loosen the Ratchet Knob, then turn the Lead Screw by hand to the desired position, then lock down the Ratchet Knob to secure the position.
3. To move the Stylus Pin in or out, loosen the Knob, slide the Stylus Pin to the desired position, then lock down the Knob to secure the position.

Woodpeckers®

Woodpeckers, LLC Strongsville, Ohio

woodpeck.com

© 2021 Woodpeckers, LLC



woodpeck.com

At Woodpeckers we are constantly reviewing & improving our tools. The most current version of our instruction manuals are always available to download/print at woodpeck.com via the tool's page.

(Located in the bottom section of the tool page under the "Additional Information" or "Instructions" tabs.)



Be the first to know all the new products & sales by subscribing to our eClub.

(Located at the top center of our webpage woodpeck.com.)



Subscribe to our YouTube channel to stay up-to-date on all the latest tool tips & tricks.



Interact with us! Follow us on Facebook & Instagram!



WARNING! This product can expose you to chemicals, including chromium, which is known to the State of California to cause cancer and birth defects or other reproductive harm. For more information go to www.P65Warnings.ca.gov