

Woodpeckers®

JUICE GROOVE JIG

O W N E R ' S M A N U A L

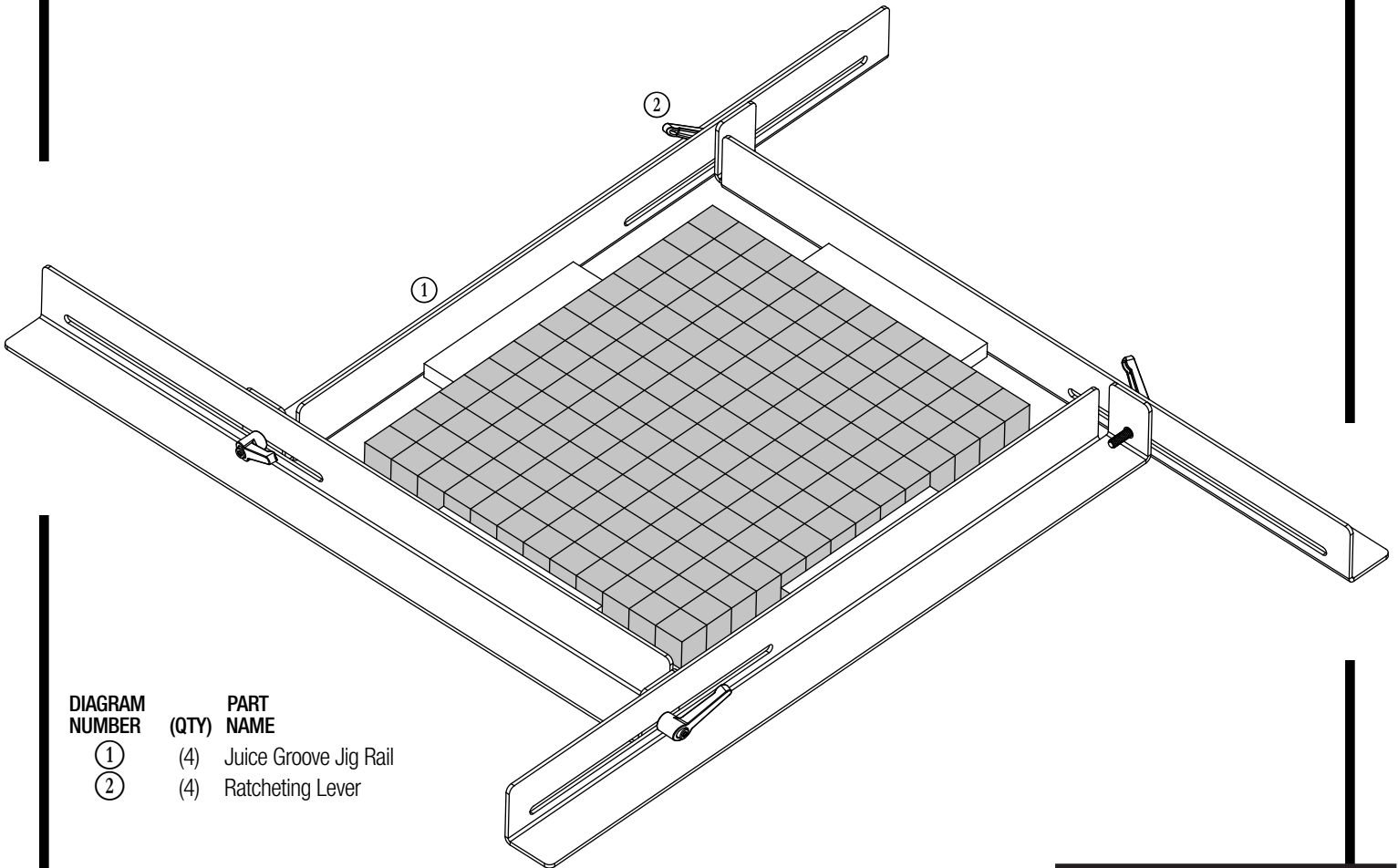


DIAGRAM NUMBER	(QTY)	PART NAME
①	(4)	Juice Groove Jig Rail
②	(4)	Ratcheting Lever

Thank you for your purchase of the **Woodpeckers Juice Groove Jig**. Now, you have a jig that adjusts to your cutting board and allows you to quickly rout juice grooves on boards between 10-1/4" and 18-3/4".



Scan the QR code above to watch the video or visit woodpeck.com under the video tab towards the bottom of the product page.

If you think you're missing anything, email us at mailroom@woodpeck.com. Or, check the product page under the "Manuals" tab for the latest version of this manual. You can also call us at 800-752-0725 from 9:00 a.m. to 4:00 p.m. EST Monday - Friday.

I. ASSEMBLY

AT THIS POINT YOU WILL NEED:

- ① Rail (4)
- ② Ratcheting Lever (4)

- A. Arrange the four Rails as shown in **FIGURE A**.
- B. Install the four Ratcheting Levers through the slot and into the adjacent rail's threaded hole. Tighten until snug. **FIGURE A-1**.



PRO TIP

Once the lever is threaded into the tapped hole, pull up on the handle and use a T15 Torx Driver to tighten the lever quickly and easily.

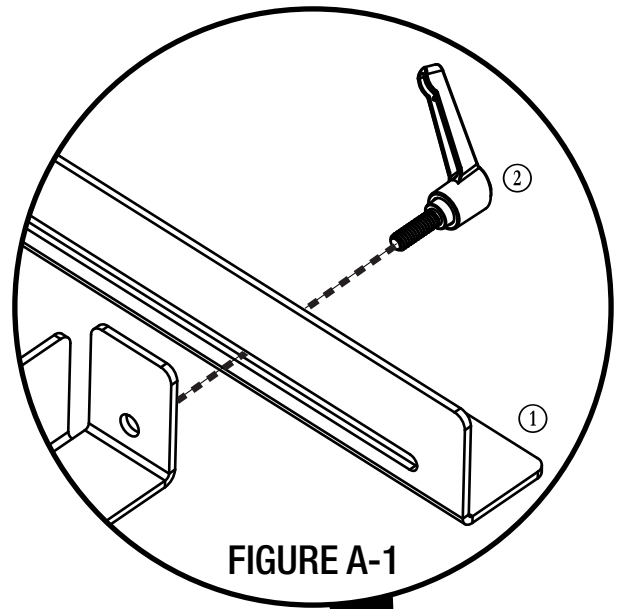
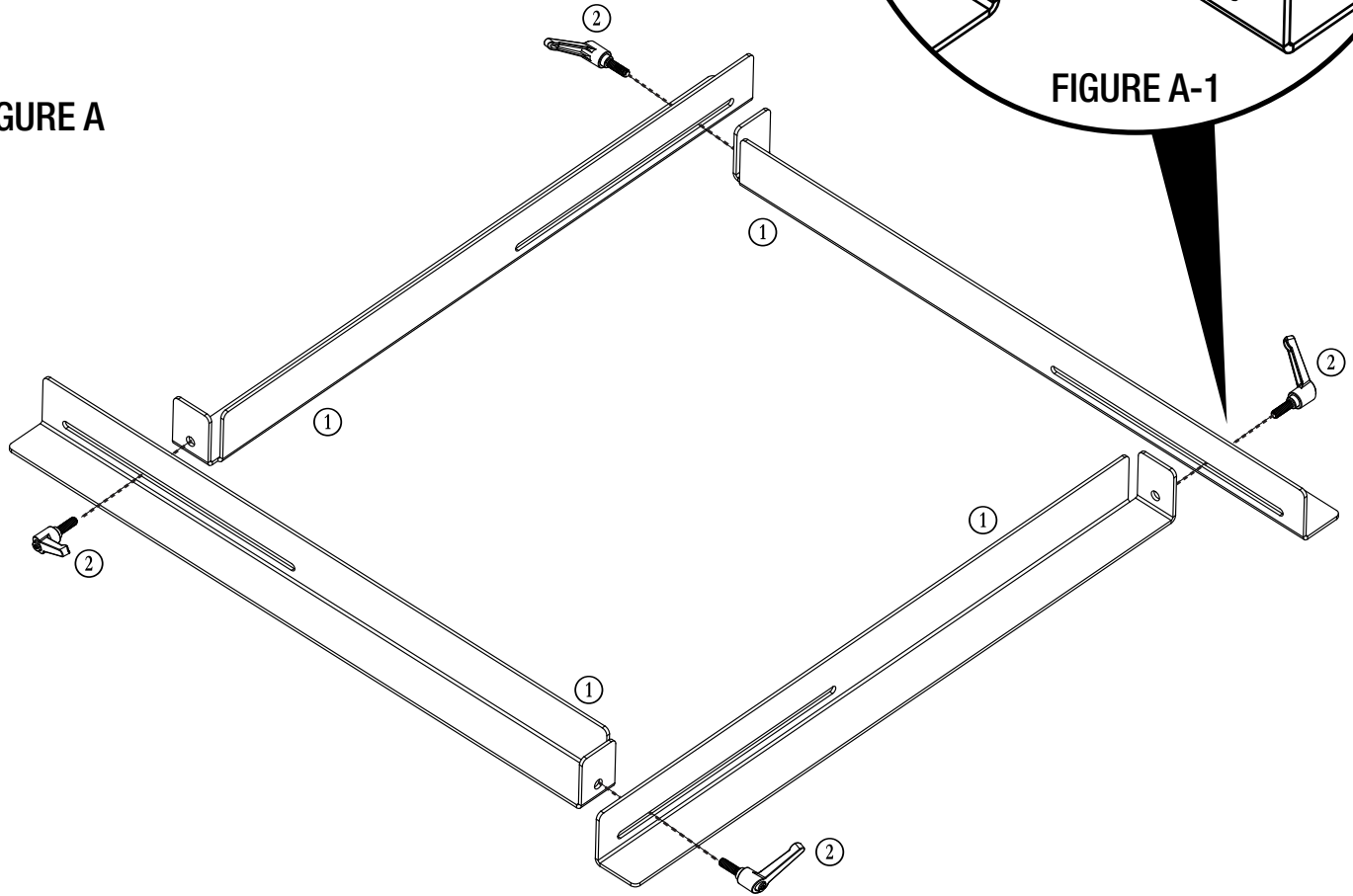


FIGURE A

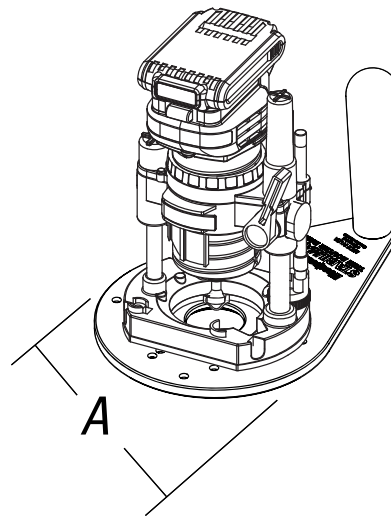


II. USING THE JUICE GROOVE JIG

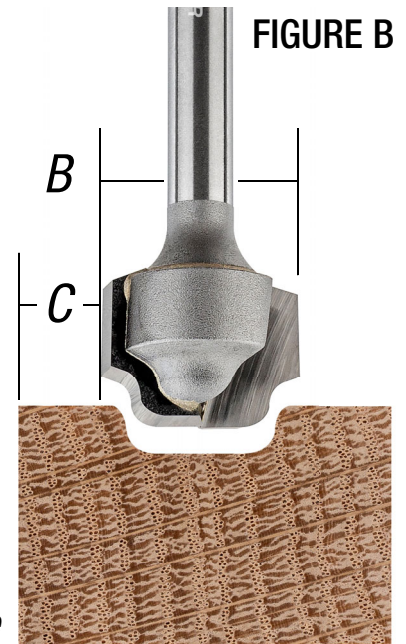
- A. To locate the router bit where you want to cut the juice groove, you'll need to cut some spacers to go between the cutting board and the rails.
- B. The spacers should not be thicker than your cutting board. To calculate the width of the spacers, use the formula below, illustrated in **FIGURE B**.

$$\frac{A - B}{2} - C = \text{Spacer Width}$$

- C. With your Juice Groove Jig set up and your cutting board ready to cut, install your desired bit in your router and set the initial depth of cut about 1/16" below the base. **FIGURE C**.
- D. Holding the router base against the rails, rout the initial cut in a clockwise direction around the jig. Continue stepping down the cuts in small increments (1/16" - 1/8" max.) until you reach your desired depth.



A: Base Diameter
B: Bit Diameter
C: Desired Offset from Edge



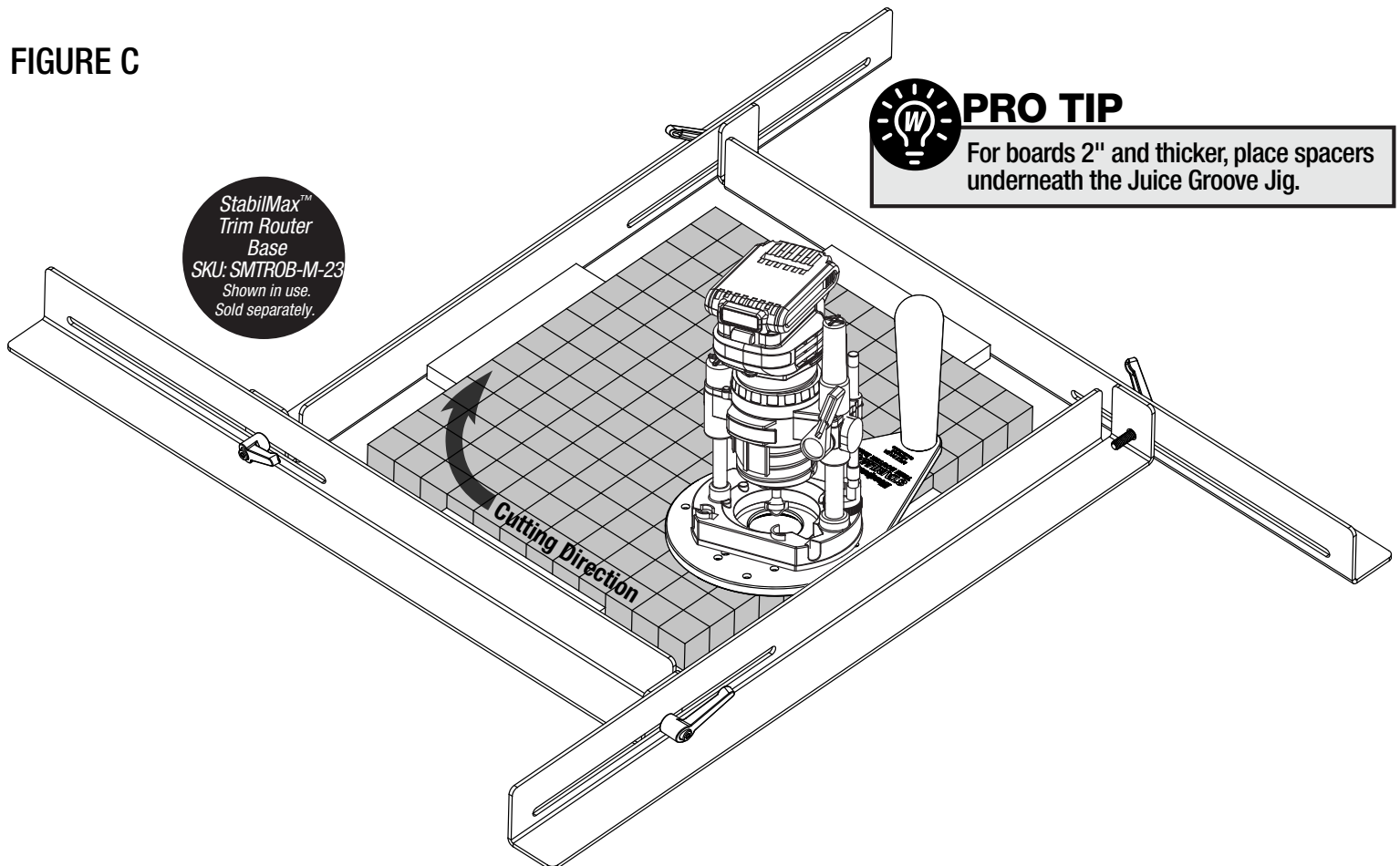
For instance, if you have a 4" round base and a 1/2" cutting diameter bit, and you wanted 1/2" between the juice groove and the edge of your cutting board with...

$$\frac{4 - 1/2}{2} - 1/2 = 1-1/4" \text{ Spacer Width}$$

NOTE

While a square base will work with the juice groove jig, it requires a very steady hand. A round base, like Woodpeckers StabilMAX Trim Router Base, ensures your bit is always the same distance away from the rail.

FIGURE C



PRO TIP

For boards 2" and thicker, place spacers underneath the Juice Groove Jig.



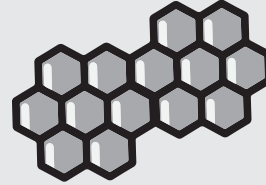
BONUS!

Here's an economical, simple recipe to make your own cutting board finish. Imagine including a small bottle of finish with each cutting board purchase or gift. It's a thoughtful touch that lets the recipient maintain their new favorite cutting board as the initial finish fades.

Cutting Board Wax Finish

Ingredients:

- 1/2 gallon of mineral oil (4 - 16oz bottles)
- 1lb bag of yellow beeswax pellets



Make It:

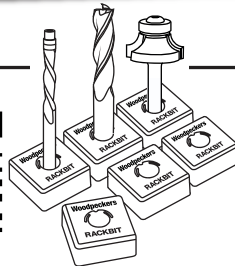
First cover your work surface with old plywood to protect your work surface. Pour the mineral oil into the crock pot then add the beeswax. Turn the crock pot to the highest setting. Stir periodically. The wax should fully melt in about 30 minutes. Transfer the melted wax mixture into container(s). Shallow containers or tins with a lid work best. Use caution this is very hot. It is useful to use a turkey baster or a measuring cup to transfer the mixture to avoid spilling. Let it cool and solidify.

Use It: Apply a liberal amount of the Cutting Board Wax Finish to all surfaces of the board. Allow it to sit 20-30 minutes. Use a clean cotton cloth to buff. Apply 1-2 coats and your board is ready to use. To revitalize used cutting boards, add a thin coat of the wax then buff after a few hours.

Store It: Store containers covered in a cool dry location.

NOTE: Do not wash cutting boards in the dishwasher. Hand wash only with soap & water.

Scan the QR code at right or visit woodpeck.com to check out our extensive lineup of Router Bits.



Woodpeckers[®]
woodpeck.com



Woodpeckers[®]
woodpeck.com

While nearly any of our tools can help you make beautiful, top-quality cutting boards, here are a few more tools we think you'll love.

DESCRIPTION	SKU
• Ultra-Shear® Juice Groove Bits	US2JG-4PC
• Wood Cutting Board Strip Kit	AMHWD-CB-KIT
• Exotic Wood Cutting Board StripKit	EXO-CB-KIT1
• StabilMAX™ Trim Router Base	SMTROB-M-23
• Handle Jig Plus	HJP
• Semble™ MD Parallel Jaw Clamps 4-Pack	PJM-SM-KIT



WARNING! To reduce the risk of injury keep hands away from moving parts. Refer to your power tool manual for proper setup and use.



WARNING! To reduce the risk of injury, wear safety goggles or glasses with side shields, ear protection & a dust mask.

Woodpeckers[®]

Woodpeckers, LLC Strongsville, Ohio
woodpeck.com
© 2025 Woodpeckers, LLC



woodpeck.com

At Woodpeckers we are constantly reviewing & improving our tools. The most current version of our instruction manuals are always available to download at woodpeck.com.

(Located in the bottom section of the tool's page under the "Additional Information" or "Instructions" tabs.)



Be the first to know all the new products, **OneTIME Tools** & sales by subscribing to our eClub. (Located at the top center of our webpage woodpeck.com.)



Subscribe to our YouTube channel to stay up-to-date on all the latest tool tips & tricks.



INTERACT WITH US! Follow us on Facebook, Instagram & TikTok!



Enjoy shop tips, project ideas, tool techniques & more in our Woodworking Resource Center/Blog. (Located at the bottom center of our webpage woodpeck.com.)



WARNING!

This product can expose you to chemicals, including chromium, which is known to the State of California to cause cancer and birth defects or other reproductive harm.

For more information go to www.P65Warnings.ca.gov