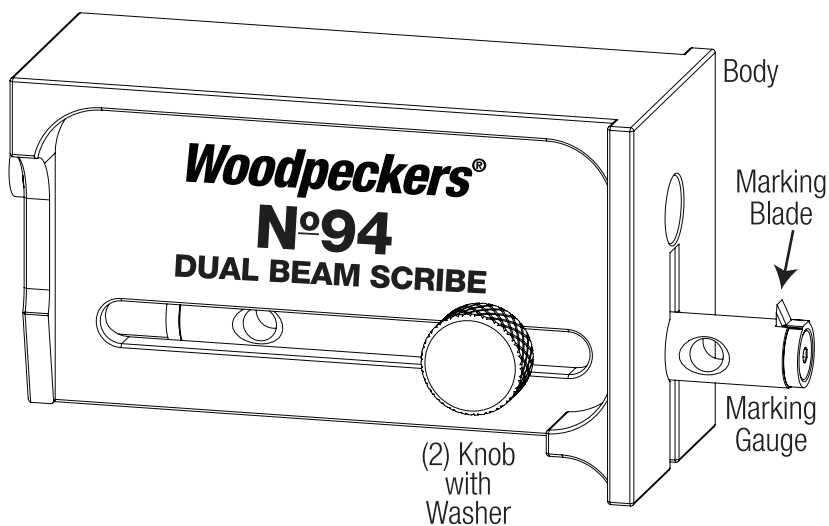


# **Woodpeckers<sup>®</sup>**

## **OneTIME Tool<sup>®</sup>**

### **No94 DUAL BEAM SCRIBE**

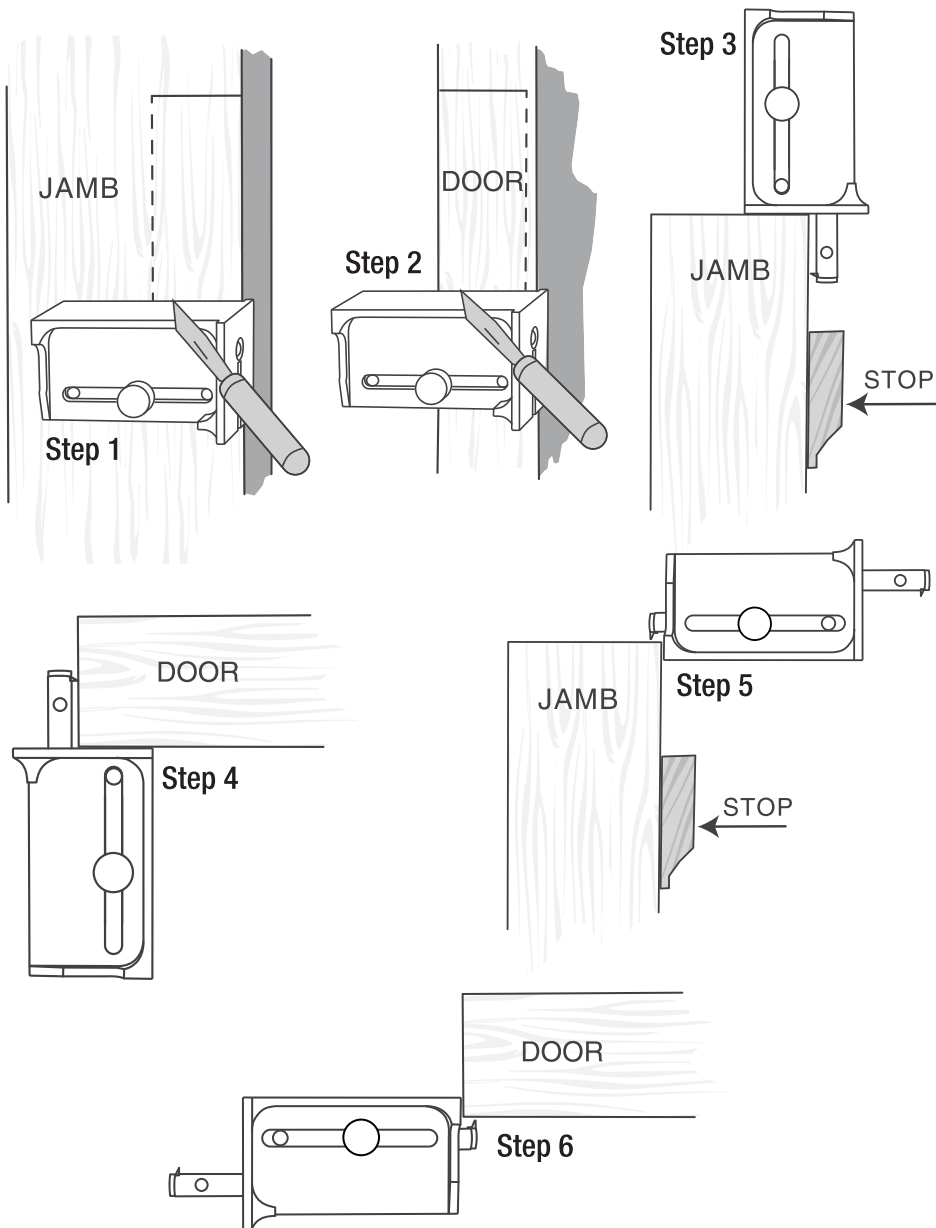
O W N E R ' S M A N U A L



**Woodpeckers No94 Dual Beam Scribe** combines two marking gauges and a square into one compact tool. The original Stanley No. 94 “Butt Gauge” was used by trim carpenters to lay out hinge mortises for decades. The opposite page is an adaptation of one of the early instruction sheets that accompanied the original. Whether you’re hanging doors by hand or any other job that requires multiple marking gauges, we think you’ll enjoy this unique, historic tool.

If you think you’re missing anything, email us at [mailroom@woodpeck.com](mailto:mailroom@woodpeck.com).  
You can also call us at 800-752-0725 from 9:00 a.m. to 5:00 p.m. EST Monday - Friday.

# 6 EASY STEPS FOR LAYING OUT MORTISES



## Woodpeckers®

PRECISION WOODWORKING TOOLS

Woodpeckers, LLC Strongsville, Ohio · [woodpeck.com](http://www.woodpeck.com)

© 2020 Woodpeckers, LLC



**WARNING!** This product can expose you to chemicals, including chromium, which is known to the State of California to cause cancer and birth defects or other reproductive harm. For more information go to [www.P65Warnings.ca.gov](http://www.P65Warnings.ca.gov)