

Woodpeckers[®]

DELUXE TRAMMEL SYSTEM

OWNER'S MANUAL



Scan the QR code above to watch the video or visit woodpeck.com under the video tab towards the bottom of the product page.

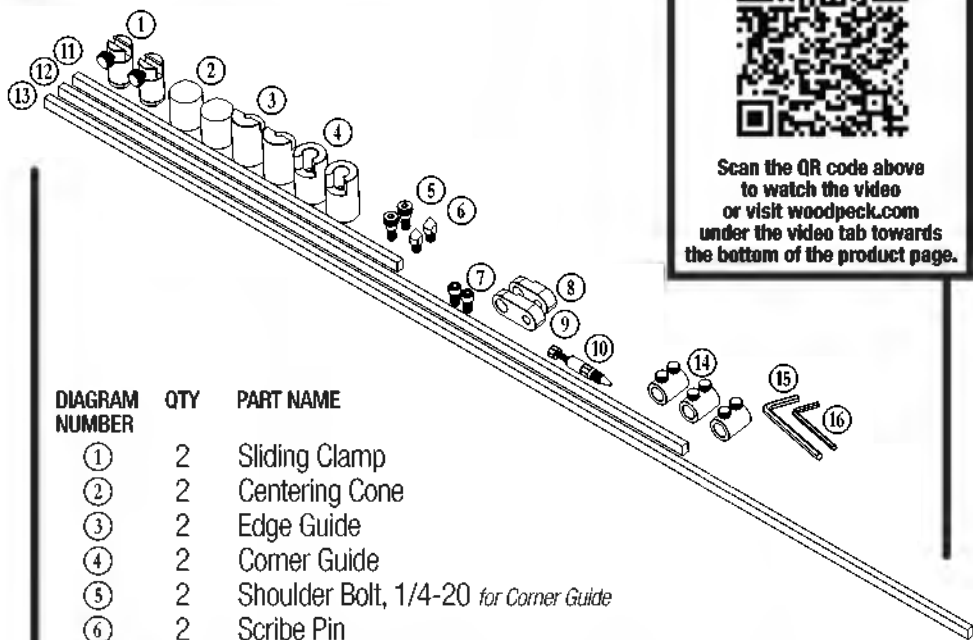
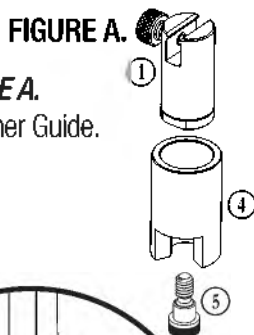


DIAGRAM NUMBER	QTY	PART NAME
①	2	Sliding Clamp
②	2	Centering Cone
③	2	Edge Guide
④	2	Corner Guide
⑤	2	Shoulder Bolt, 1/4-20 <i>for Corner Guide</i>
⑥	2	Scribe Pin
⑦	2	Socket Head Cap Screw 1/4-20, <i>for Pencil Holder</i>
⑧	1	Pencil Holder, Metric
⑨	1	Pencil Holder, Inch
⑩	1	Mechanical Pencil
⑪	1	Beam 12"/ 30cm Scale
⑫	1	Beam 24"/ 60cm Scale
⑬	1	Beam 36"/ 90cm Scale
⑭	3	Bar Couplings
⑮	1	Hex Key 5/32"
⑯	1	Hex Key 3/16"
--	1	Rack-It [™]
--	2	Rack-It Screws 8 x 1

If you think you're missing anything, email us at mailroom@woodpeck.com.
You can also call us at 800-752-0725 from 9:00 a.m. to 4:00 p.m. EST Monday - Friday.

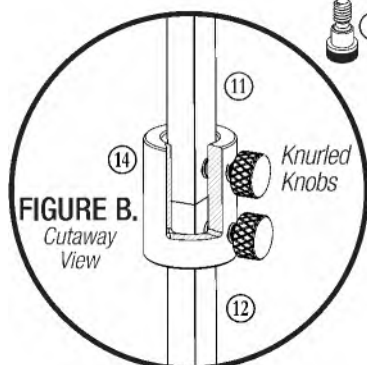
I CORNER GUIDES ASSEMBLY

1. Remove any components attached to the Sliding Clamps.
2. Lower the Sliding Clamp ① into the Corner Guide ④. **FIGURE A.**
3. Insert the Shoulder Bolt ⑤ through the center hole on the Corner Guide.
4. Use the Hex Key 5/32" ⑮ to snug the Shoulder Bolt.
5. The Corner Guide should rotate freely.



II. BAR COUPLINGS

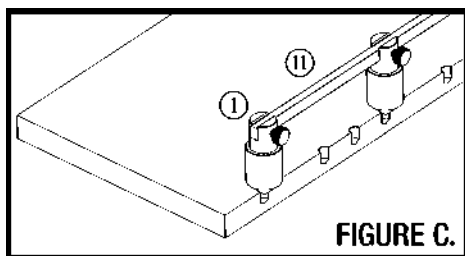
The Deluxe Trammel System includes (3) Bar Couplings ⑭. To add length as needed to a Beam ⑪ ⑫ or ⑬, attach the Bar Couplings by inserting a Beam into end and tightening the Knurled Knob. Repeat with another Beam in the open end of the Bar Coupling. **FIGURE B.**



III. DETERMINING DISTANCES

To use the Deluxe Trammel System, determine the type of measurement you need to make between holes, edges and corners, or any combination of the three.

1. With the appropriate sized Beam ⑪ ⑫ or ⑬ installed on the Sliding Clamp ①, set the location of one Sliding Clamp assembly to zero and lock into place with the Knurled Knob on the Sliding Clamp. **FIGURE C.**



2. Place the second Sliding Clamp assembly into the new location and lock into place with the Knurled Knob on the Sliding Clamp.

3. Record the value.

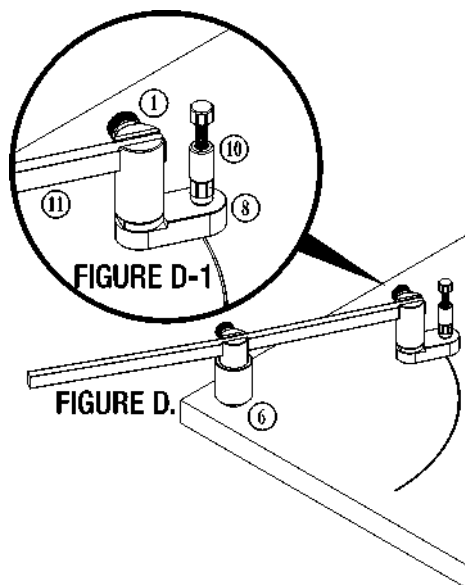
IV. DRAWING/SCRIBING ARCS

1. •To draw arcs, install a Pencil Holder ⑧ or ⑨ onto one of the Sliding Clamps ①.

FIGURE D-1. Insert the Mechanical Pencil ⑩ into the Pencil Holder.

- If using a Scribe Pin ⑥, install the Scribe Pin into the Sliding Clamp.

2. With the appropriate sized Beam ⑪ ⑫ or ⑬ installed on the Sliding Clamp ①, set the location of one Sliding Clamp assembly to zero and lock into place with the Knurled Knob on the Sliding Clamp.



3. Attach a Scribe Pin (6) to the other Sliding Clamp. **FIGURE D.** The Corner Guide (4) can be used instead if drawing an arc from a corner. **FIGURE E.**

4. Set it to the desired radius.

NOTE: If using the Mechanical Pencil be sure to take into account the additional 1" (or 2cm) added by the Pencil Holder.

5. Set the height of the Sliding Clamp assemblies so that the Beam is as close to horizontal as possible.

6. Hold the Scribe Pin against the workpiece then drag/draw the arc around with the Mechanical Pencil (or Scribe).

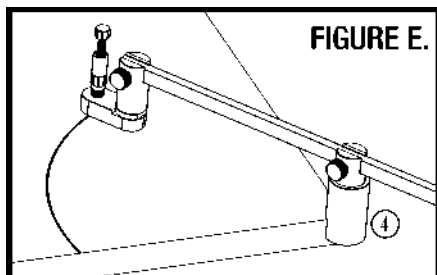


FIGURE E.

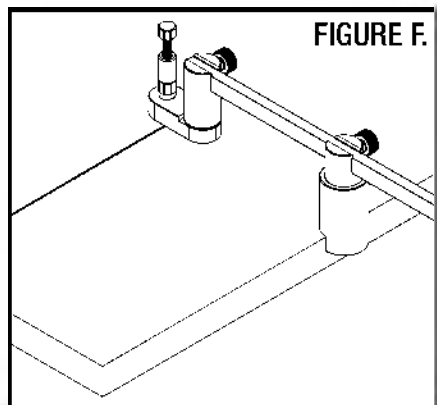


FIGURE F.

V. DRAW/SCRIBE PARALLEL LINE

1. To draw lines parallel to an edge (right), follow steps 1-2 in Section IV.

2. • Attach a Edge Guide (3) to the other Sliding Clamp. **FIGURE F.**

• The Corner Guide (4) can be used if drawing a line from a corner.

3. Set it to the desired length.

NOTE: Be sure to take into account the additional 1" (or 2cm) added by the Pencil Holder.

4. Hold the Edge Guide in place against the workpiece then drag/draw the line around with the Mechanical Pencil (or Scribe).

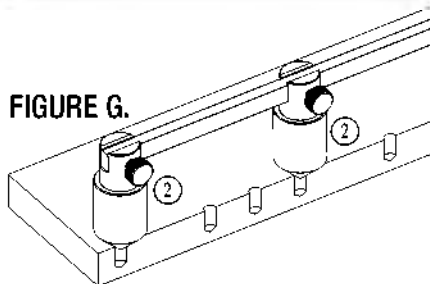


FIGURE G.

VI. TRANSFER HOLE CENTERS

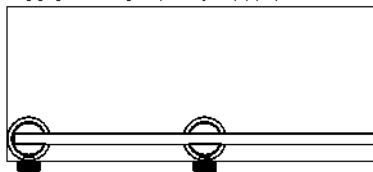
Use the Centering Cones (2) to determine the center-to-center distance between two holes and transfer that value.

1. Place the two Hole Locators in the defining holes and lock down both Sliding Clamp knobs. **FIGURE G.**

2. Move the new workpiece and position the Trammel into place. **FIGURE H.**

3. Once in position, press against the tops of the Sliding Clamps. The resulting

FIGURE H. View from above.



indentations can then be used to locate the tip of a drill bit.

VII. MEASURING CORNER TO CORNER –CHECKING FOR SQUARE

1. To measure from corner to corner, position the Corner Guide assembly lock at zero.

2. Place the Trammel on the workpiece and locate the other Corner Guide to the diagonal corner of the workpiece. Then, lock down the second Corner Guide assembly lock. **FIGURE I.**

3. To check for square, move the entire setup to the opposite diagonal. If they match, you are square.

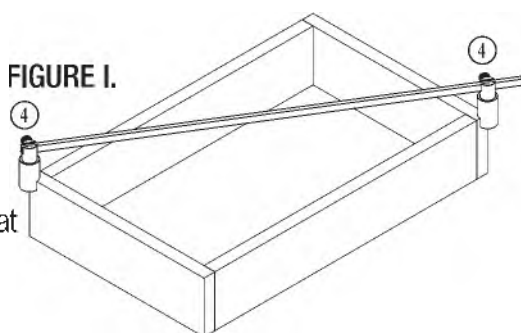


FIGURE I.

Woodpeckers®

Woodpeckers, LLC Strongsville, Ohio

woodpeck.com

© 2022 Woodpeckers, LLC



woodpeck.com

At Woodpeckers we are constantly reviewing & improving our tools. The most current version of our instruction manuals are always available to download at woodpeck.com.

(Located in the bottom section of the tool's page under the "Additional Information" or "Instructions" tabs.)



Be the first to know all the new products, **OneTIME Tools** & sales by subscribing to our **eClub**. *(Located at the top center of our webpage woodpeck.com.)*



Subscribe to our YouTube channel to stay up-to-date on all the latest tool tips & tricks.



INTERACT WITH US! Follow us on Facebook, Instagram & TikTok!



Enjoy shop tips, project ideas, tool techniques & more in our Woodworking Resource Center/Blog. *(Located at the bottom center of our webpage woodpeck.com.)*



WARNING! This product can expose you to chemicals, including chromium, which is known to the State of California to cause cancer and birth defects or other reproductive harm. For more information go to www.P65Warnings.ca.gov