

Woodpeckers[®]

VERSA-FENCE

FACE UPGRADE FOR SAWSTOP* TABLE SAWS

OWNER'S MANUAL

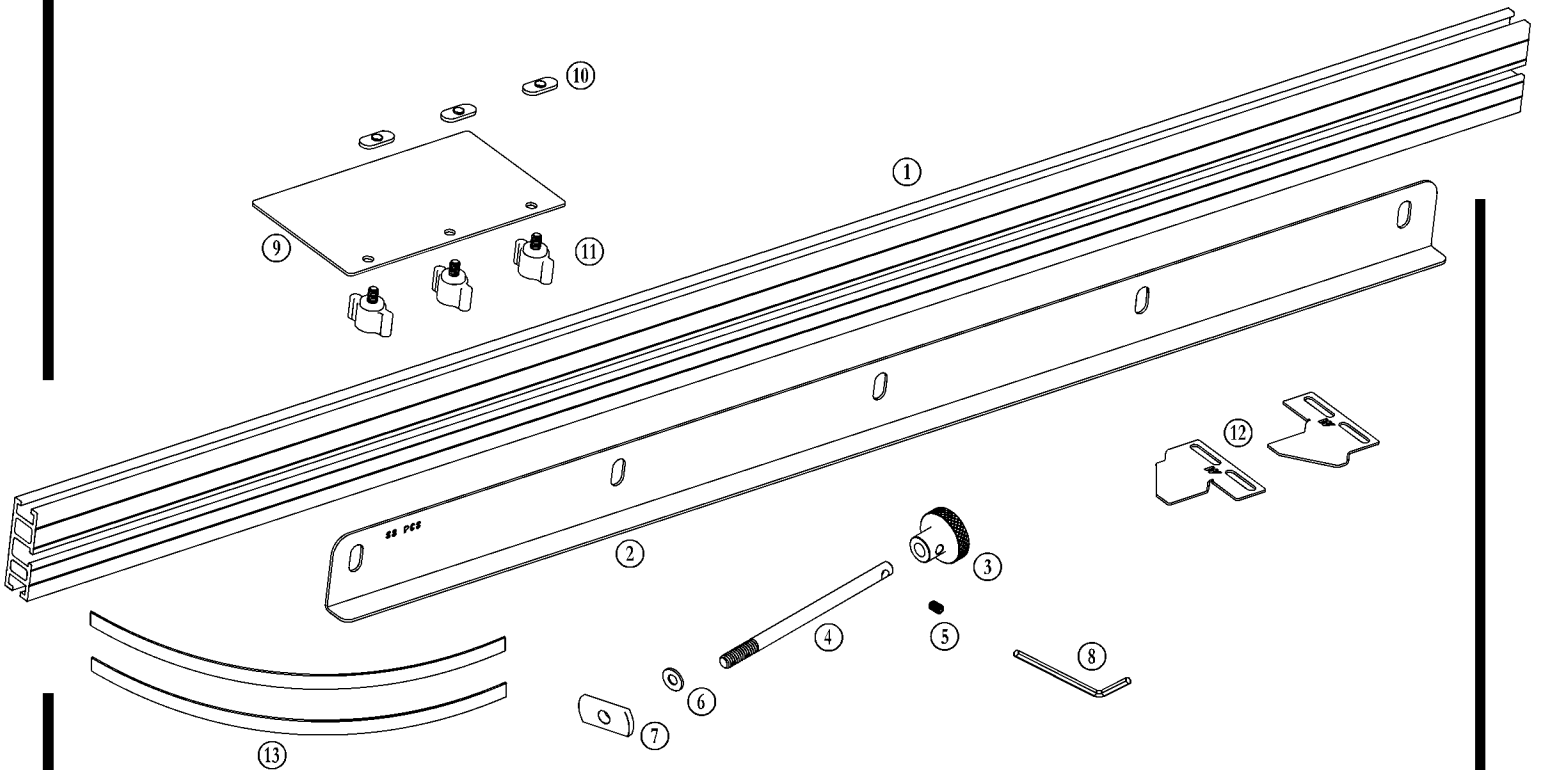


DIAGRAM NUMBER	PART NAME	PCS 36 (Qty)	PCS 48 (Qty)	ICS 48 (Qty)
①	Versa-Fence Face, 36" <i>Not Shown</i>	1	--	--
①	Versa-Fence Face, 48"	--	1	1
②	Static Fence	1	1	1
③	Knurled Knobs	5	5	6
④	Clamping Screw	5	5	6
⑤	8-32 Set Screws	5	5	6
⑥	Washers, 1/4"	9	9	10
⑦	Large Weld Nuts, 1/4-20	5	5	6
⑧	Hex Key, 5/64"	1	1	1
⑨	Material Support Plate, 7"	--	1	1
⑩	Small Weld Nuts, 1/4-20	--	3	3
⑪	Knob Screws, Black	--	3	3
⑫	Scale Positioners (Right & Left)	2	2	2
⑬	UHMW Strips	2	2	2



Scan the QR code above to watch the video or visit woodpeck.com under the video tab towards the bottom of the product page.

If you think you're missing anything, email us at mailroom@woodpeck.com. You can also call us at 800-752-0725 from 9:00 a.m. to 4:00 p.m. EST Monday - Friday.

*NOTE: The SawStop and JessEm brand names are the registered trademarks of the respective companies and are not associated with Woodpeckers, LLC.

Thank you for your purchase of **Woodpeckers Versa-Fence Face Upgrade**. Now you have more support, a straighter fence, and a slicker surface for better cuts on your SawStop Table Saw.

It is important to note that the aluminum extrusion will conform to your saw's fence tube. If your fence tube has imperfections they will translate to the Versa-Fence Face. These instructions will help you dial in your fence to the level of accuracy you want, see Part III.

I. ASSEMBLY

1. Assemble the Versa-Fence Clamping Screws. First, insert the ③ Knurled Knob onto the smooth part of the ④ Clamping Screw while aligning the set screw hole.
2. Install the ⑤ Set Screw through the Knurled Knob and into the Clamping Screw. Firmly tighten using the ⑧ Hex Key. Repeat for the remaining Versa-Fence Clamping Screws. **FIGURE A.**
3. **48" Models Only:** To assemble the Material Support, insert the ⑪ Knob Screws through the holes in the ⑨ Material Support Plate and into the ⑩ Small Weld Nuts. Leave loose for now. **FIGURE B.**
4. Cut each of the two ⑬ UHMW Strips in half using scissors or sharp knife. Remove the protective film from the backside of the UHMW Tape and adhere it to the bottom of the ② Static Fence and the ① Versa-Fence Face. **FIGURE C.**

FIGURE A

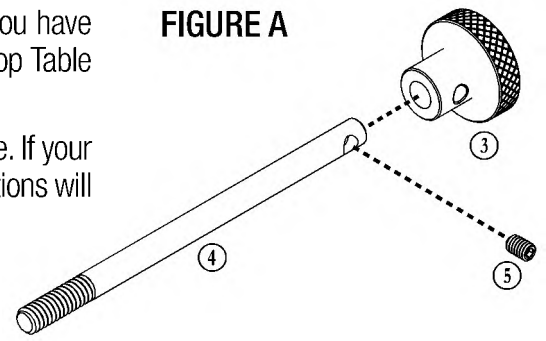


FIGURE B

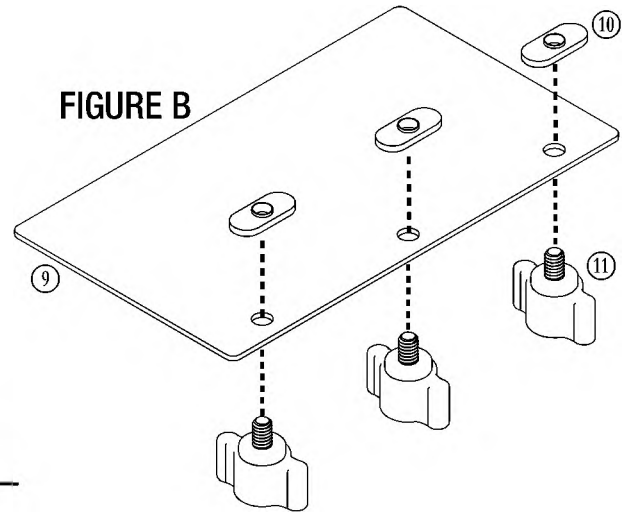
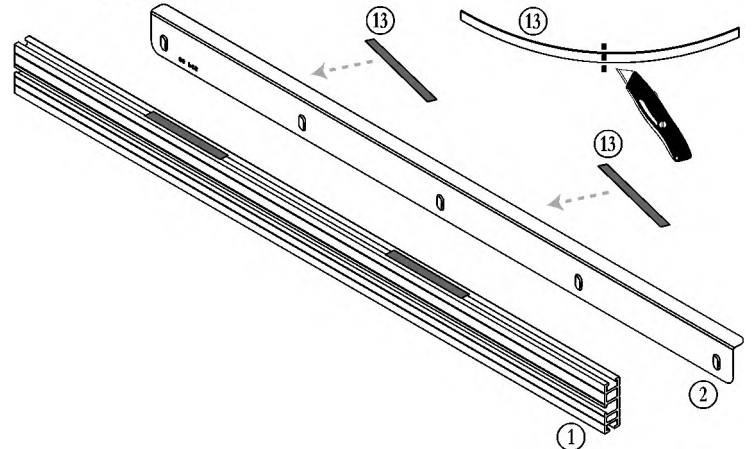


FIGURE C

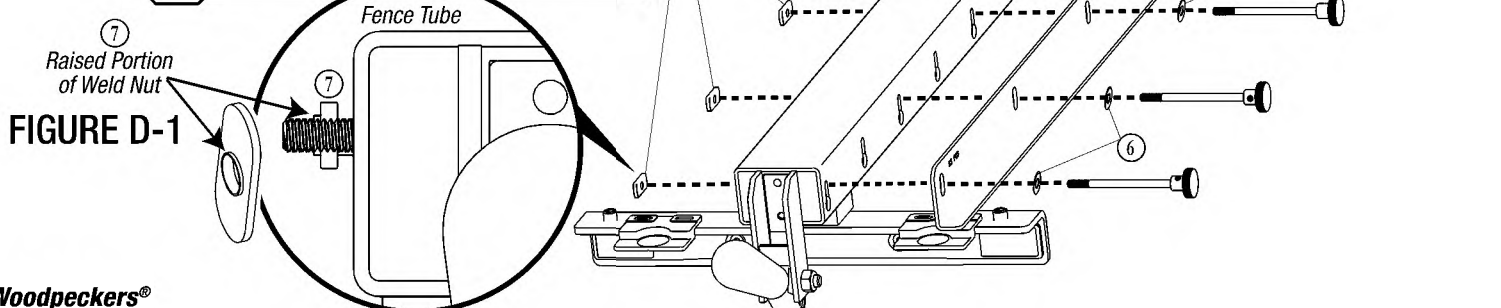


II. INSTALLATION VERSA-FENCE FACE UPGRADE

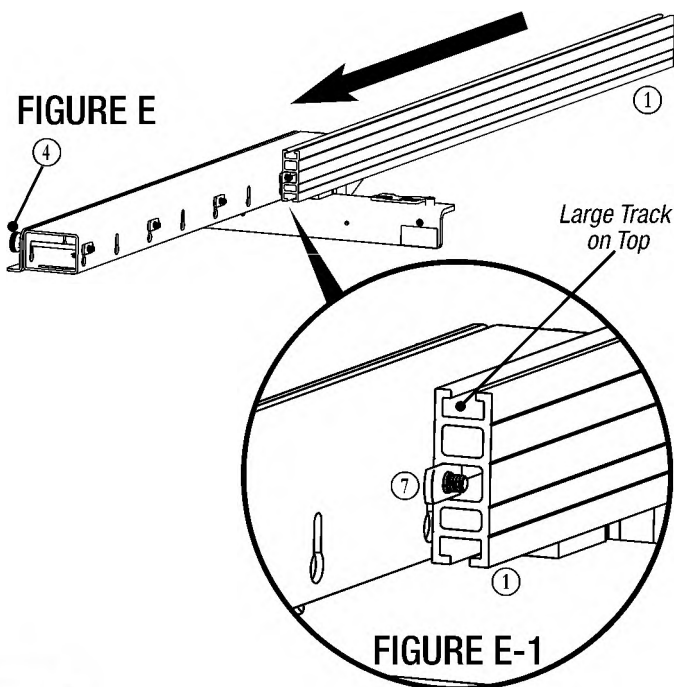
1. Remove the two fence faces according to the manufacturer's instructions for your T-Glide Fence.
2. Place the ② Static Fence on the right side of the T-Glide Fence Tube and align the first slot with the forward keyway slot in the T-Glide Fence tube.
3. Insert the assembled Versa-Fence Clamping Screws through the ⑥ Washers and the holes in the Static Fence and through the T-Glide Fence Tube.
4. Loosely attach the ⑦ Large Weld Nuts onto each of the ④ Clamping Screws. **FIGURE D.** Ensure the raised portion of the weld nut is facing away from the fence tube. **FIGURE D-1.**

FIGURE D

STOP Ensure the raised portion of the Weld Nuts face away from the fence tube.



5. With the engraved face out and towards the infeed, guide the ① Versa-Fence Face along the left side of the T-Glide Fence Tube while inserting the ⑦ Large Weld Nuts into the track on the back side of the extrusion. **FIGURE E-1.**
6. With the Versa-Fence Face at your desired location along the fence, firmly tighten the ④ Clamping Screw Assembly. **FIGURE E.**
7. You can install the ⑨ Material Support Plate on the infeed or outfeed side of the fence, whichever you prefer. With the Material Support assembled, guide the Weld Nuts into the lower track with the Material Support Plate facing towards the blade. **FIGURE F.**
8. With a thicker fence face, you'll need to re-calibrate your fence scale. Follow the manufacturer's instructions for calibrating the scale. If you find that there is not enough to compensate for the thickness in the slots for the factory reticle, install the included ⑪ Scale Positioners and remaining ⑫ (4) Washers in its place and calibrate the scale.



OPTIONAL ACCESSORIES

STORAGE TRAY INSTALLATION (SKU: VFST)

9. Install the Storage Tray by first removing the ③ Knurled Knob (See Section I. Assembly, 2, Page 2) from two of the Versa-Fence Clamping Screws. **FIGURE G.**
10. Slide the Storage Tray onto the rods and re-install the Knurled Knobs.

FEATHERBOARD MOUNT INSTALLATION (SKU: VFFM)

11. Assemble the Featherboard Mount by threading the Weld Nuts onto the Knurled Knobs through the slots in the Featherboard Mount. **FIGURE H.**
12. Guide the Weld Nuts into the Top Track of the Versa-Fence Face.
13. Position the Featherboard Mount where you want and tighten the Knurled Knobs to lock in place.
14. Follow the instructions for the Variable Pressure Featherboard for use.

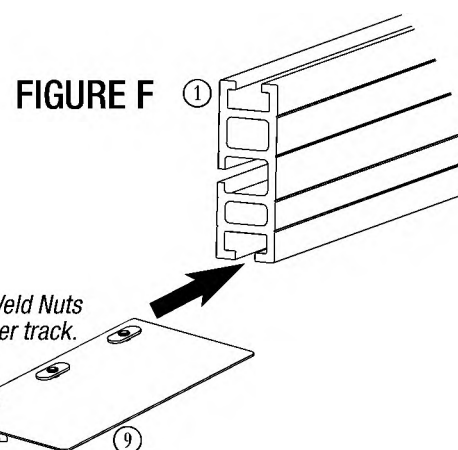


FIGURE G

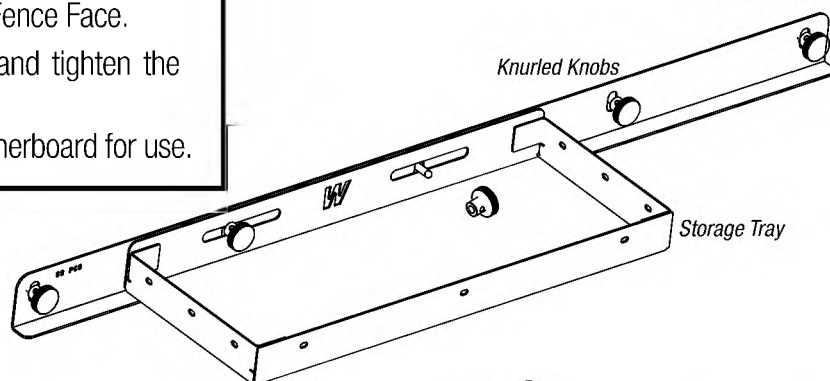


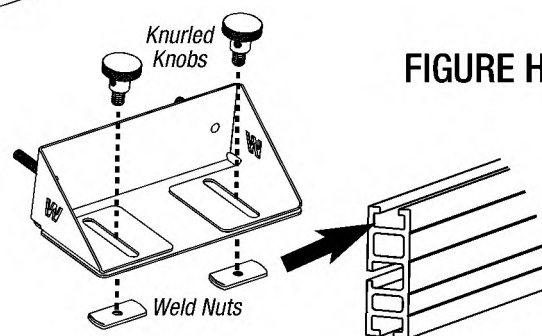
FIGURE H

III. INSTALLING YOUR JESSEM* CLEAR-CUT STOCK GUIDES

The Versa-Fence Face Upgrade features a track perfectly sized for the JessEm Clear-Cut Stock Guides. Now, you don't need to drill your fence tube to attach the mounting bracket. Follow the manufacturer's instructions for assembly. Guide the Track Mounting Bar into the top track and follow the manufacturer's instructions for use.

IV. T-TRACK SLOTS

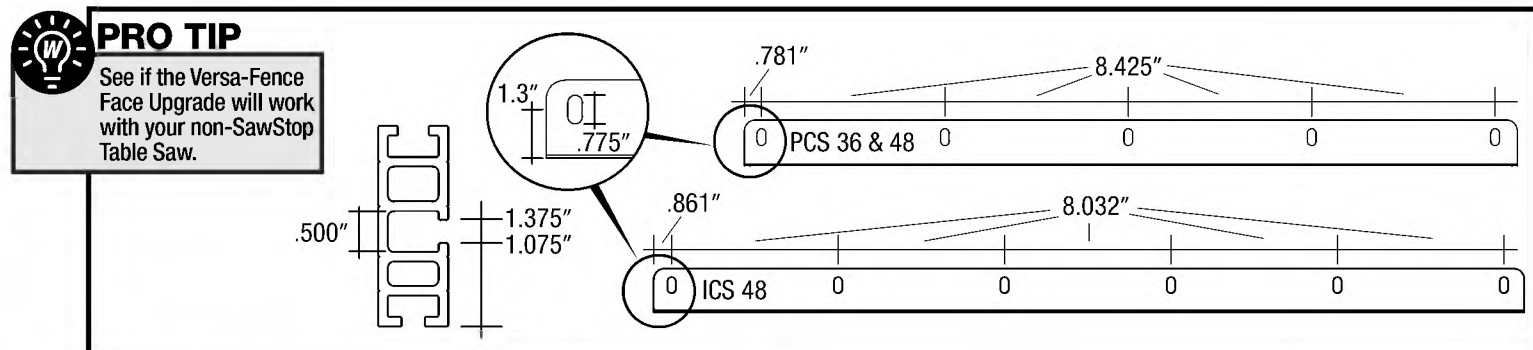
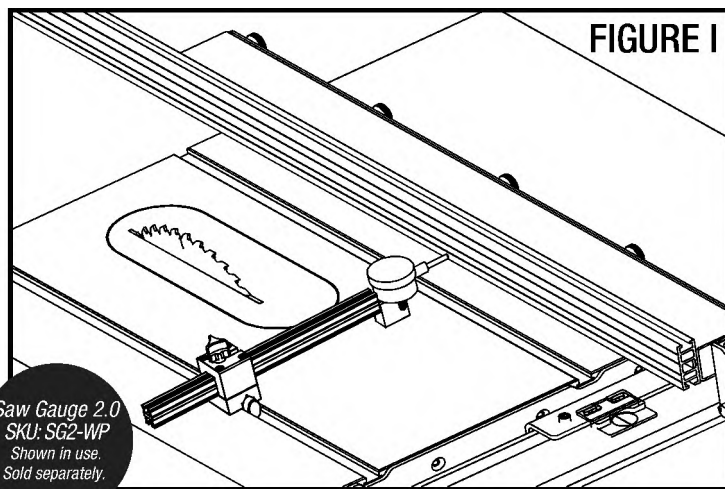
The T-Track Slots are custom-sized to fit Versa-Fence hardware and are not intended to work with standard "off-the-shelf" 1/4-20 hardware.



V. MEASUREMENT & CALIBRATION

Using a long, trusted straight edge, check your new Versa-Fence Face for straightness. If you are satisfied, you can begin using your Versa-Fence. The extrusion will conform to the fence tube, so any bellies or bows will translate to the Versa-Fence Face. If you notice any bellies, bows, or want to dial in to an extremely tight tolerance, follow the instructions below.

15. First, you need to ensure your fence is parallel to the miter slot. Align the fence face to the miter slot and run your finger along the seam to check for parallel. Follow the manufacturer's instructions to make adjustments if needed. Ensure the five Versa-Fence Clamping Screws are firmly tightened.
16. Gauge the distance between the miter slot and the fence along the length of the Versa-Fence. A dial indicator (like Woodpeckers Saw Gauge 2.0) is recommended. **FIGURE I.**
17. Mark the extents of any low spots exist using painters tape on the top of the fence tube.
18. Remove the fence by loosening the Versa-Fence Clamping Screws and sliding the Versa-Fence Face off the fence tube.
19. Using painter's tape as a shim, adhere the tape to the fence tube. Do not adhere to the backside of the fence face which will limit fence length adjustability.
20. Re-install the Versa-Fence Face and tighten the Versa-Fence Clamping Screws .
21. Gauge the fence again and repeat the shimming process until the fence is within the tolerance you desire.



ADDITIONAL ACCESSORIES		
	DESCRIPTION	SKU
	Versa-Fence Featherboard Mount	VFFM
	Versa-Fence Storage Tray	VFST
	Variable Pressure Featherboard	VPFB
	Add-an-Inch Offset Block	ADD-1
	Saw Gauge 2.0	SG2-WP
	Simple Set Fence Gauge	SSFG-24
	Rip Flip Fence Stop System	RF-FS-50-PM

Woodpeckers® Woodpeckers, LLC Strongsville, Ohio
woodpeck.com
 © 2024 Woodpeckers, LLC

At Woodpeckers we are constantly reviewing & improving our tools. The most current version of our instruction manuals are always available to download at woodpeck.com.

(Located in the bottom section of the tool's page under the "Additional Information" or "Instructions" tabs.)

Be the first to know all the new products, OneTIME Tools & sales by subscribing to our eClub. (Located at the top center of our webpage woodpeck.com.)

Subscribe to our YouTube channel to stay up-to-date on all the latest tool tips & tricks.

INTERACT WITH US! Follow us on Facebook, Instagram & TikTok!

Enjoy shop tips, project ideas, tool techniques & more in our Woodworking Resource Center/Blog. (Located at the bottom center of our webpage woodpeck.com.)

WARNING! To reduce the risk of injury keep hands away from moving parts. Refer to your power tool manual for proper setup and use.

WARNING! To reduce the risk of injury, wear safety goggles or glasses with side shields, ear protection & a dust mask.

WARNING! This product can expose you to chemicals, including chromium, which is known to the State of California to cause cancer and birth defects or other reproductive harm. For more information go to www.P65Warnings.ca.gov