

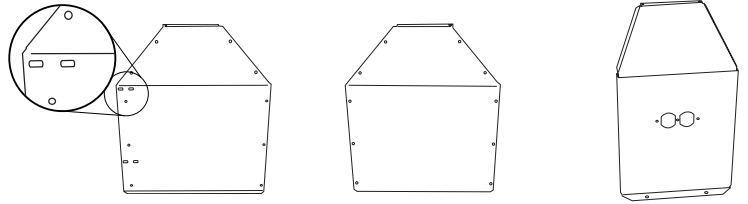
Woodpeckers Downdraft Instructions



PARTS LIST

(24) #8 Self Tapping Screws
 (5) #8 x 3/8 Machine Screws
 (4) #8 Washers
 (5) #8 Nuts

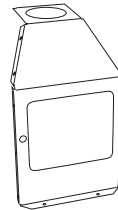
(4) #10 x 3/4 Sheet Metal Screws
 (1) Blast Gate
 (1) Magnet
 (2) Door Hinges



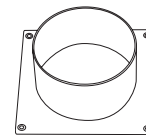
Left Side

Right Side

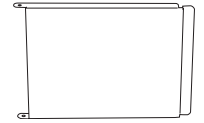
Back



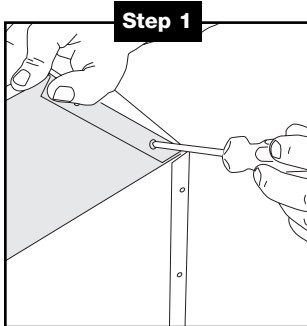
Front



Dust Port

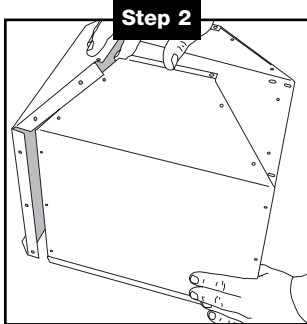


Door



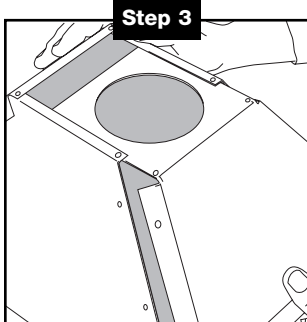
Step 1

Step 1 Attach left side to back using (5) self-tapping screws.



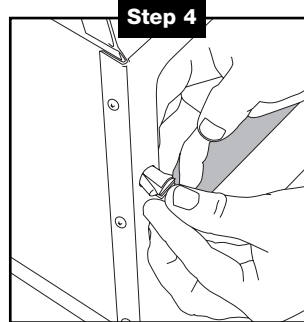
Step 2

Step 2 Attach right side to back.



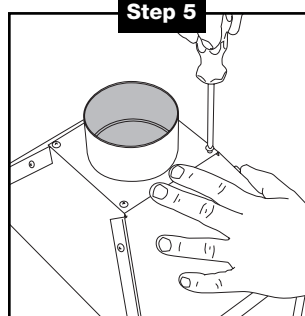
Step 3

Step 3 Install front. Be sure to slip dust port flange under sides and back.



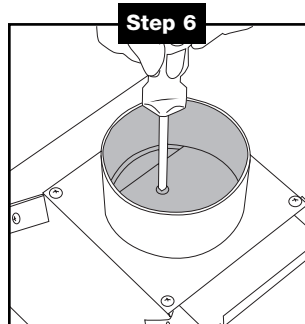
Step 4

Step 4 Install magnet. Push magnet into hole in front.



Step 5

Step 5 Install dust port.

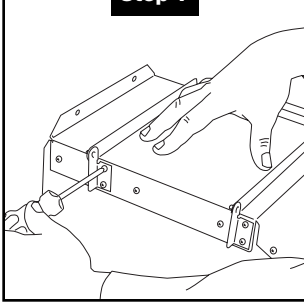


Step 6

Step 6 Install blast gate and stop screw. Once blast gate is slid into slot, install (1) #8 x 3/8 machine screw and #8 nut through hole in blast gate.

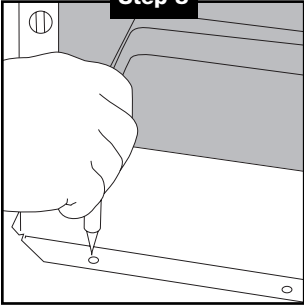
Woodpeckers Downdraft Instructions

Step 7



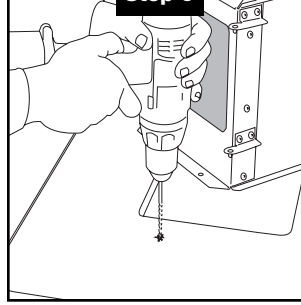
Step 7 Use (2) #8 x $\frac{3}{8}$ machine screws, #8 washers and #8 nuts to loosely install both hinges to left side of cabinet. Ensure pins are pointing towards top. With cabinet on its back, engage door tabs on to hinge pins. Hold door against cabinet while tightening screws.

Step 8



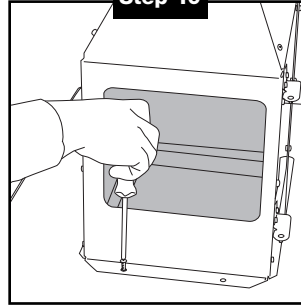
Step 8 Attach cabinet to table. With table face down on work surface, orient downdraft cabinet over table opening. Mark four hole locations.

Step 9



Step 9 Drill $\frac{1}{8}$ " pilot holes, approximately $\frac{3}{4}$ " deep.

Step 10



Step 10 Attach cabinet to table. Use (4) #10 x $\frac{3}{4}$ sheet metal screws to attach cabinet to table.

