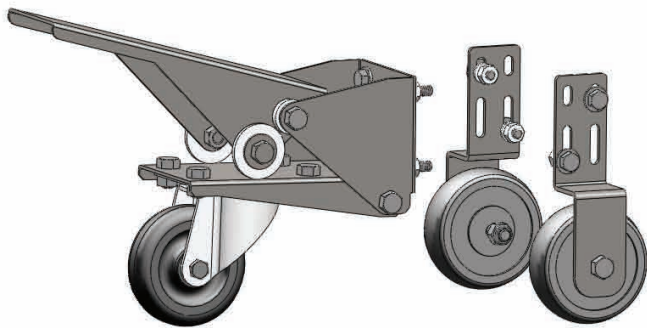


WHEEL KIT INSTRUCTIONS

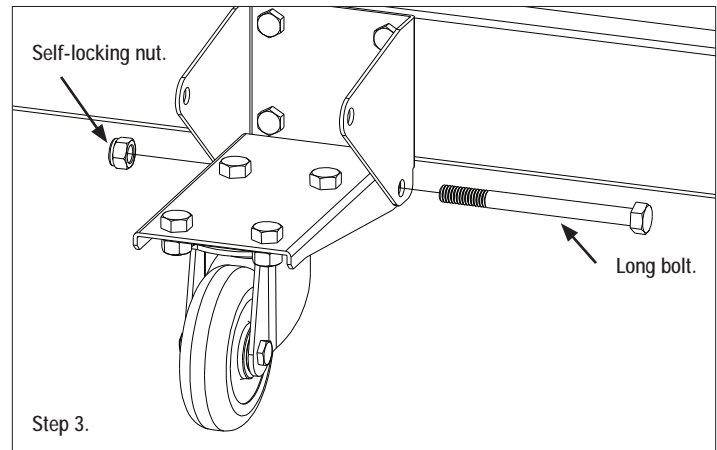
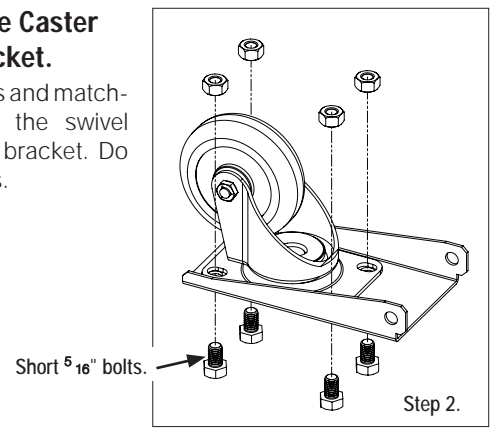


Made in U.S.A.

If you think you're missing anything, email us at mailroom@woodpeck.com. You can also call us at (440) 230-2442 from 9:00 am to 5:00 pm EST Monday - Friday.

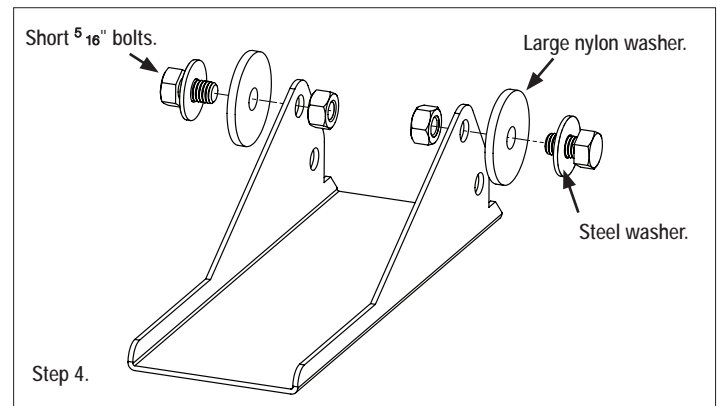
STEP 2. Attach the Caster to the Caster Bracket.

Use four $\frac{5}{16}$ " hex bolts and matching nuts to attach the swivel caster to the caster bracket. Do not use any washers.



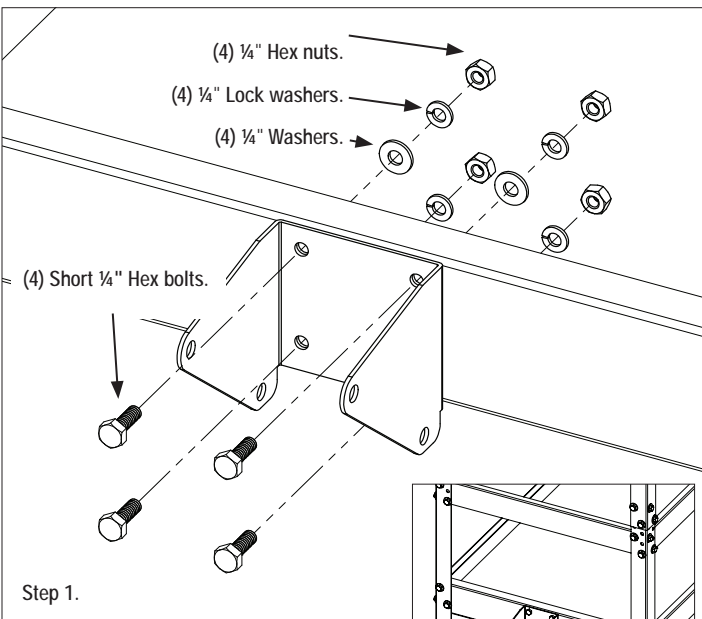
STEP 3. Attach the Caster Bracket to the Foot Pedal Bracket.

Use one long bolt and one self-locking nut to attach the caster bracket to the foot pedal bracket. **DO NOT OVER TIGHTEN.** Tighten the nut until it just begins to touch the bracket. The caster bracket must pivot freely. Self-locking nuts have a protrusion on one side and self tighten as they are installed.



STEP 4. Assemble the Foot Pedal.

Attach one large nylon washer to each side of the foot pedal as shown. Use a short $\frac{5}{16}$ " bolt and steel washer from the outside and a matching nut from the inside. The large nylon washer must be on the outside of the foot pedal.



STEP 1. Attach the Foot Pedal Mounting Bracket.

One end of your Router Table Stand has a brace with four holes. Use four $\frac{1}{4}$ " hex bolts, washers, lock washers and nuts to attach the mounting bracket as shown above.

