

Made in U.S.A. by Woodpeckers Inc.
Protected by one or more of the following U.S.
Patents: 6,505,659; 7,559,347; 7,481,253;
7,108,463 and other patents pending.

SAFETY

Always unplug your router motor before making any adjustments to the router lift. Refer to your routers' owners manual for specific safe operating instructions.

BEFORE YOU BEGIN

The Woodpeckers® Side Winder can be installed in most router tables with a standard 9¼ x 11¼ opening and a side panel mounting surface no more than 19" away as in the side of a cabinet or router table stand. In most cases three holes will need to be drilled for mounting the side plate.

These instructions assume installation of the Side Winder on a Woodpeckers® Router Table and Router Table Stand as shown in **Figure 1**.

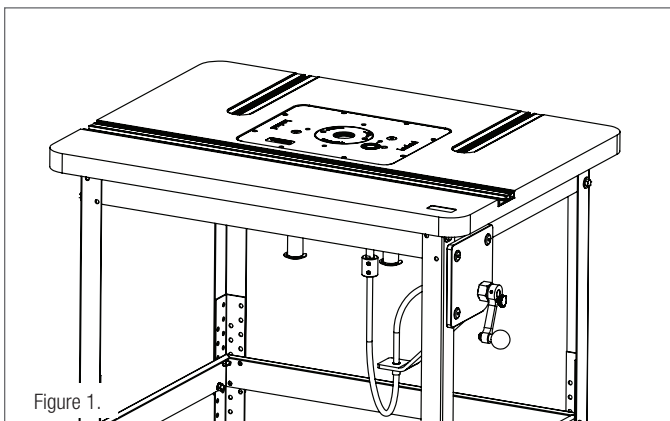


Figure 1.

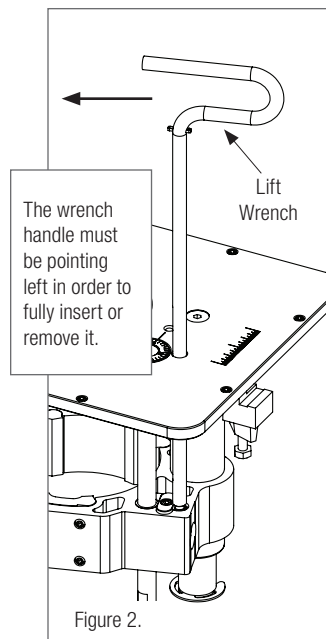


Figure 2.

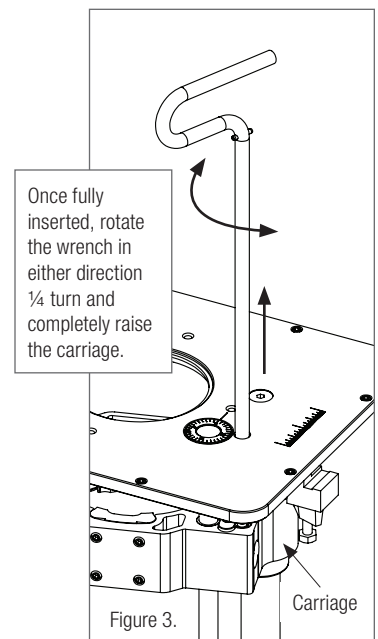


Figure 3.

USING THE LIFT WRENCH

You'll need to know how to use the Lift Wrench to install your router motor. The Lift Wrench is typically used without the lift spring and comes without the lift spring installed. It's recommended that the wrench be used without the spring for installation of the router motor.

Figure 2. To change the carriage height (the carriage is the part beneath the table that holds the motor), orient the wrench with the handle pointing left toward the adjustable scale.

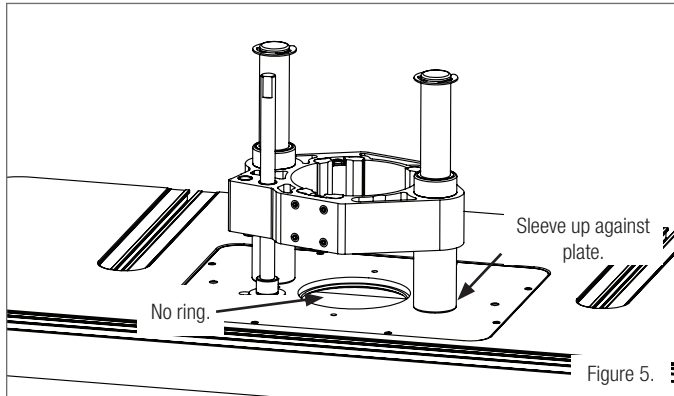
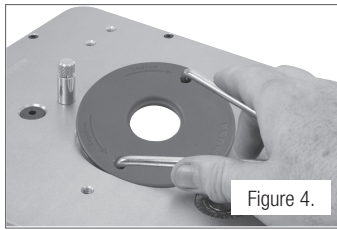
Insert the wrench until it's COMPLETELY BOTTOMED OUT. Once it's all the way in, try and rotate it. If it doesn't turn, it isn't in. Do not force the wrench. Take it out, push it back down and try again. Once it turns easily, simply rotate it in either direction to lock the handle to the carriage. Now raise or lower your router as needed. For the next step you need to raise the motor completely to the top and remove the lift wrench.

CHANGING BITS ABOVE THE TABLE AND MOTOR LENGTH

Motor length determines whether above the table bit changes are possible. Shorter motor barrels like that of the PC690, Bosch 1617/1618 and a few others are too short for above the table bit changes when installed in the Side Winder model SW420 or SW414. The SW350 Side Winder is designed for above the table bit changes when using smaller, shorter motors.

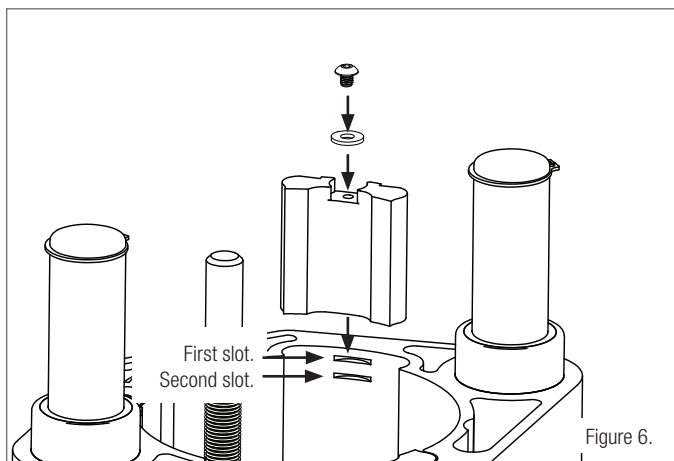
REMOVE THE RING

Figure 4. The Side Winder comes with one ring installed. This ring needs to be removed in order to install your motor. Loosen the ring by turning it **CLOCKWISE** with the spanner wrench.



INSTALLING YOUR ROUTER MOTOR

Figure 5. Make sure the carriage has been raised to the top then remove the lift from the table, flip it over and set it back into the table opening as shown in Figure 5. If the carriage is all the way up the sleeves will be touching the plate.



INSTALLING MOTOR PADS

As shown in Figure 5, slide in one of the three pads. Before you slide it all the way in, set a washer into the recess and slowly lower the pad into position until the washer slips into one of the two slots.

For the Porter-Cable 7518/7519/890/892 and Milwaukee 5625, use the first slot. Shorter motors like the PC 690 and various Craftsman models use the second slot. With the washer in the appropriate slot, install a screw and tighten with supplied $\frac{5}{64}$ hex key. Repeat for all three pads.

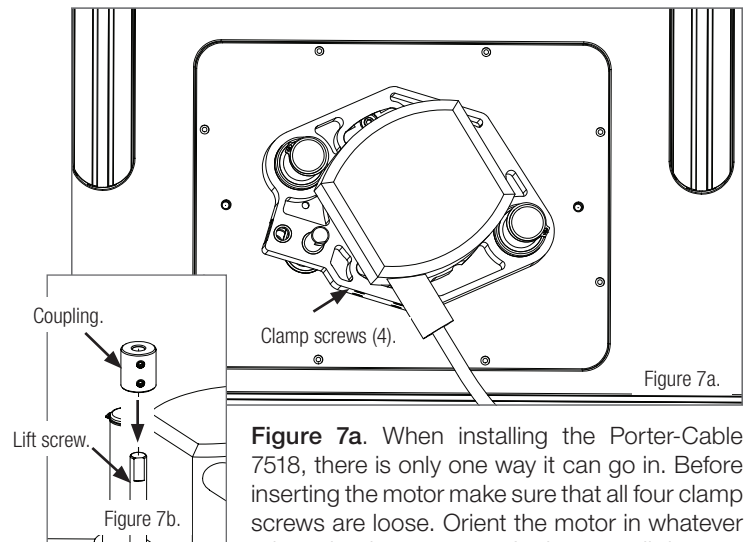
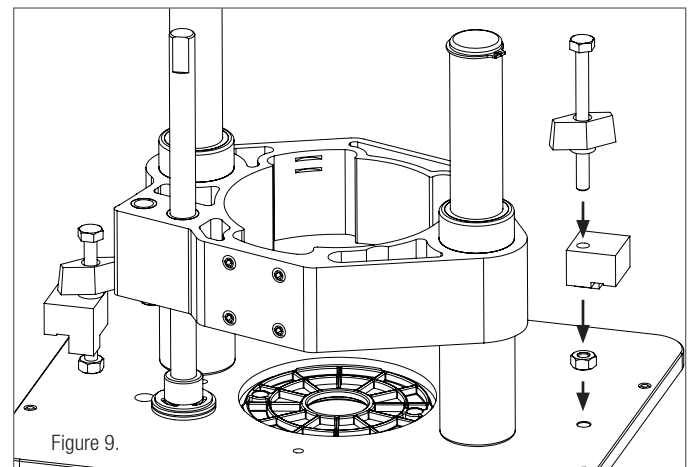
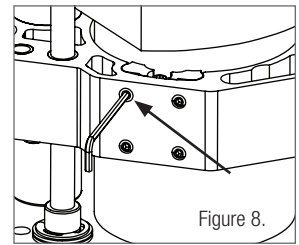


Figure 7a. When installing the Porter-Cable 7518, there is only one way it can go in. Before inserting the motor make sure that all four clamp screws are loose. Orient the motor in whatever orientation is necessary for it to go all the way in. Once in and against the plate rotate it as shown in **Figure 7a.**

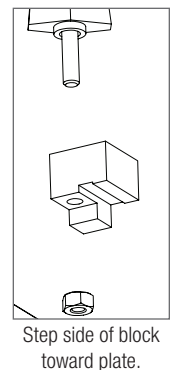
Now slip a coupling on to the lift screw to check for clearance (**Figure 7b**). Carefully double check that no part of the motor is in contact with the posts or the coupling. If necessary, rotate the motor to achieve clearance. When finished remove the coupling for later.

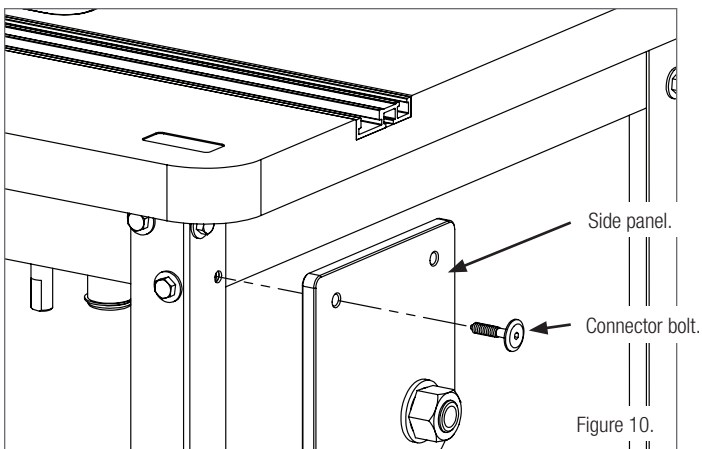
Figure 8. Moderately tighten the four clamp screws. The screws should be tightened evenly and care should be taken not to overtighten them. *Overtightening will result in binding of the lift mechanism.*



INSTALL TWO CLAMP BLOCKS

Figure 9. Thread a knob onto one of the 3" long bolts. Slip a clamp block onto the bolt and then thread one of the hex nuts about $\frac{1}{2}$ " up the bolt. The stepped side of the clamp block needs to face the plate. Now thread the bolt into one of the threaded holes in the plate. Use a $\frac{7}{16}$ " wrench to lightly snug the bolt into the plate. **DO NOT OVERTIGHTEN THE BOLT.** Now snug the hex nut down to the plate.





SIDE CRANK INSTALLATION ON THE WOODPECKERS® ROUTER TABLE STAND

This section assumes your installing the Side Winder onto the Woodpeckers® Router Table Stand.

Figure 10. Remove the existing hex bolt from the corner of the router table stand and attach the side panel using one of the connector bolts and hex nuts.

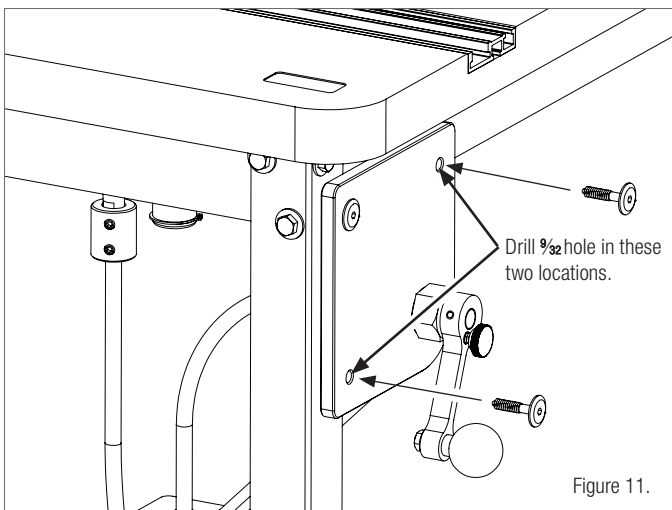


Figure 11. Using the side panel as a guide, drill two $\frac{1}{32}$ dia. holes through the router table stand. Fasten the panel in place using the remaining connector bolts and nuts.

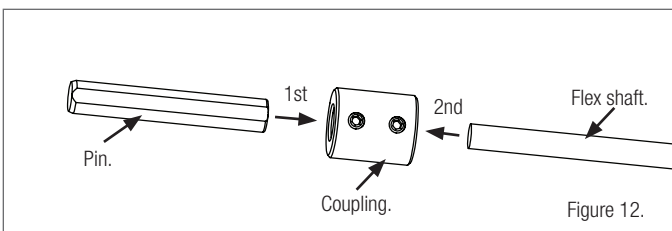


Figure 12. First slip the pin into a coupling. Make sure it bottoms out. Tighten the set screw onto the flat of the pin. Now push the flex shaft into the other end of the coupling. Tighten the remaining set screw. Now loosen the first set screw and remove the pin. You'll need it for the next step.

Figure 13. Assemble the remaining coupling and pin together. Make sure the set screw is tight on the flat spot of the pin. Now thread the end of the flex shaft up through the bearing in the bracket and slide the coupling onto the end of the flex shaft. Tighten the set screw that holds the flex shaft. Now both ends of the flex shaft should have couplings attached and the end going up through the bracket should have the pin installed as well.

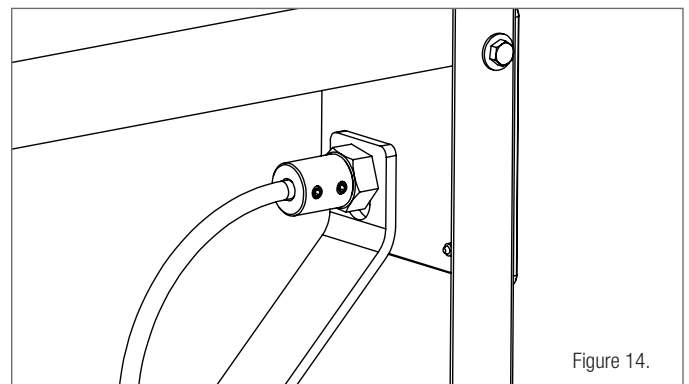
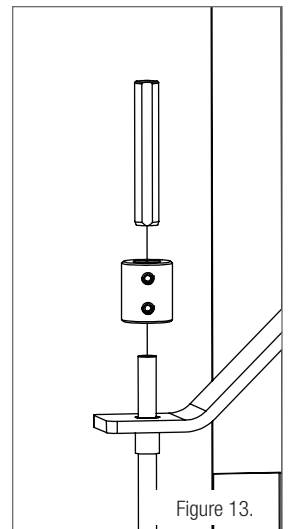


Figure 14. Apply a dab of grease on the outside of the pin and insert it through the hole in the side panel bolt. **This will take some effort.** Be careful not to kink the flex shaft. Bend it just enough to get the pin through the hole.

If necessary you can loosen the bracket by partially loosening the large bolt. That might make it easier.

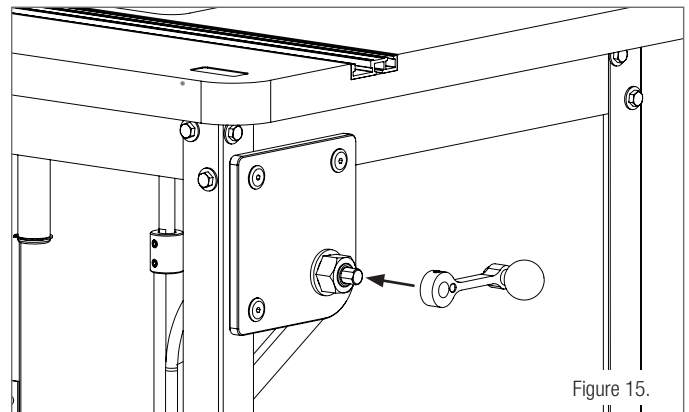


Figure 15. From the outside, slip the crank handle onto the pin, align the end of the pin with the face of the handle, align the set screw with the flat spot on the pin and tighten the screw.

Double check that the handle has a little bit of in and out play. If it's tight, the handle will not crank freely.

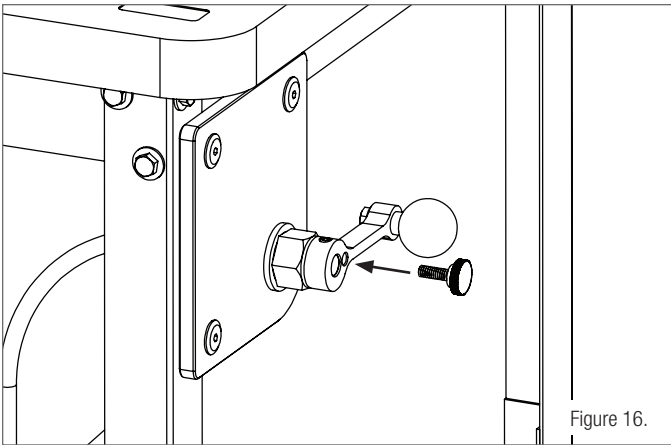


Figure 16.

Figure 16. Now thread the brake knob into the threaded hole in the handle. Do not tighten the brake knob until it's needed. Use this when heavy routing is planned.

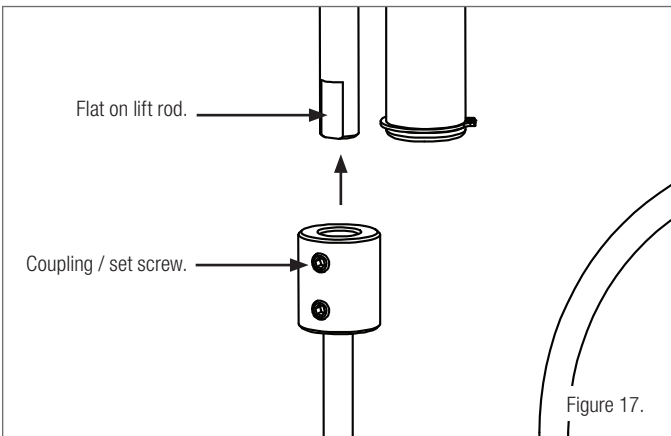
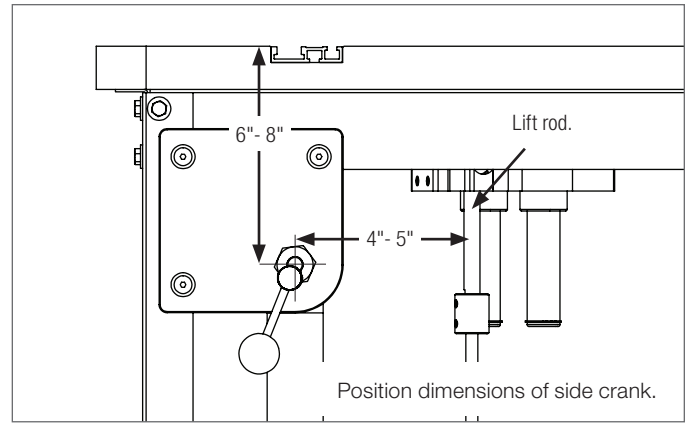


Figure 17.

Figure 17. Attach the remaining coupling on the other end of the flex shaft and then to the lift rod. Make sure to align the set screw with the flat on the rod before tightening the screw. Use the crank handle to turn the flex shaft and coupling. If you need to turn the lift rod, keep your hands clear while using the lift wrench to lower the motor to the bottom end of its travel. Keep the wrench engaged which will take the pressure off the lift rod making it easy to turn by hand.

TESTING THE CRANK ASSEMBLY

Test the crank assembly by slowly turning the handle and watching the round scale on the top of the lift. If the scale isn't turning when you're rotating the crank handle then one of the set screws isn't tight. It's most likely to be one of the two set screws locking the flex shaft to the coupling. Double check that those two screws are tight. After that make sure that the set screws in the handle and couplings are against the flats on each shaft.



Position dimensions of side crank.

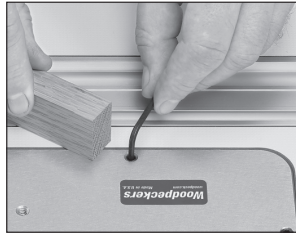
SIDE WINDER INSTALLATION ON NON-WOODPECKERS® ROUTER TABLE STANDS.

The Woodpeckers® Side Winder can be installed on non-Woodpeckers® cabinets and router table stands. The above illustration shows the general location of the crank handle relative to the router table top and router lift. It's recommended that the side panel be mounted in its entirety and not disassembled.

GENERAL OPERATING INFORMATION

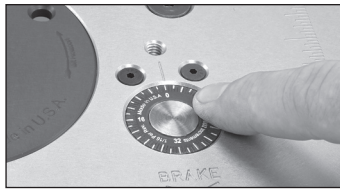
LEVELING THE PLATE

The eight set screws around the perimeter of the plate are leveling screws. They are used for setting the plate flush to the table. Initial leveling should be done with just four of the screws, two each on opposite ends of the plate. Once the plate feels flush, use a block of wood to make sure it doesn't catch going either direction then adjust the remaining screws.



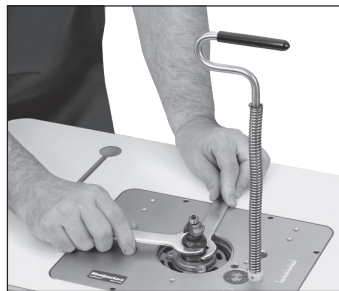
ADJUSTING THE SCALE

The scale in the top face can be zeroed to any position. It's typically set to zero once the router bit is at the desired height. Then you can easily make a specific, fine adjustment with the thumb wheel while referencing the scale. The scale is adjusted by pushing in either direction from around its edge.



CHANGING BITS

First use the spanner wrench to remove the Twist Lock Ring. Now use the lift wrench to raise the router chuck completely above the plate. Use the wrenches supplied with your router to change the bit.



ROUTINE MAINTENANCE

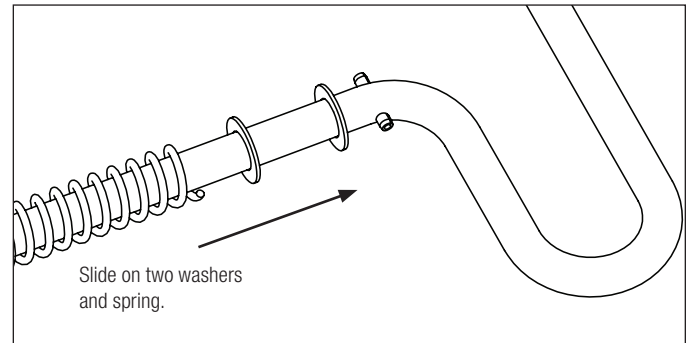
The Side Winder is made primarily from aluminum and steel parts. The steel parts will have a light coating of petroleum jelly when it leaves the factory. After unpacking, if necessary, clean aluminum parts, including the main plate, with mineral spirits or lacquer thinner. Do not use any water based cleaner. The two steel posts should be wiped with a clean rag and lubricated with petroleum jelly or a very light machine oil. The flex shaft can be periodically sprayed with a lubricant such as WD40 then wiped dry.

Minor surface rust on any steel parts can be removed with abrasive nylon pads like a scotch bright pad. All steel parts should be kept lubricated with petroleum jelly or thin machine oil, particularly the posts and lift screw.

THE LIFT SPRING

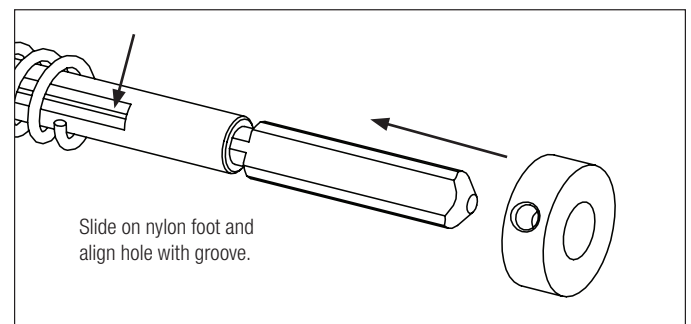
Typically the lift spring is not needed for satisfactory operation of the router lift. If the router motor is too heavy to lift comfortably, the spring is helpful.

INSTALLING THE LIFT SPRING



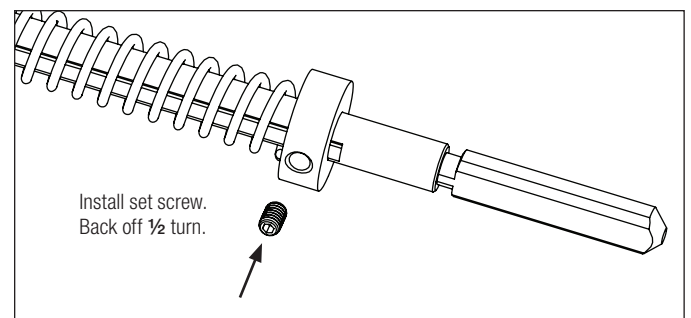
STEP 1:

Slide on the two washers and the spring as shown.



STEP 2:

Slide on the nylon foot and align the threaded hole with the groove in the wrench. You have to compress the spring slightly to position the threaded hole over the groove.



STEP 3:

Install the small set screw. Turn the screw all the way in until it bottoms out. Then back it off approximately $\frac{1}{2}$ a turn

Try inserting the lift wrench into the router lift and compressing the spring. If it feels like the screw is dragging, back it out another $\frac{1}{2}$ a turn.